



## Hose & Supply Boxes 8210 Series

Stainless Steel Recessed Dual Use Remote Supply Box



8210

Fixture May Show Some Available Options

Please visit [www.acorneng.com](http://www.acorneng.com) for most current specifications.

### Stainless Steel Recessed Dual Use Remote Supply Box

**Acorn Stainless Steel Recessed Dual Use Remote Supply Boxes** are used to supply water to flushing rim drains, can washing drains, shower heads, soap machines, hospital and similar equipment. Transfer valve provides an alternate hose connection. Models with temperature gage are recommended where it is desired to know the temperature of the water being supplied; for example, soap machines and hospital equipment. Temperature gage has a stainless steel case and is calibrated from 0 degree to 200 degree Fahrenheit.

**Box** is fabricated from 18 gage, type 304 stainless steel and all seams are continuous welded. Box is furnished with four stainless steel clips, which provide a secure means for anchoring to the wall. Wall frame and door are 16 gage. Baffle is 22 gage. All exposed surfaces are polished to a satin finish.

**Door** is provided with Cam Cylinder Lock with two keys. Hinges are concealed type. Door can be easily removed after opening by releasing hinge pins with a screwdriver.

**Control Valves** have cast bronze bodies and feature replaceable cartridges containing all wearing parts including the seat. Exposed valve parts are polished chrome-plated. Valves have a screwdriver Stop in each supply behind removable baffle, which permits servicing without shutting down the water supply. The transfer valve diverts water from the remote line to the 3/4" hose connection, or vice versa.

**Vacuum Breaker** prevents contamination of the potable water supply. It is atmospheric type and conforms to the requirements of ASSE Standard 1011. Check local code authority for vacuum breaker requirements. Supply and outlet connections are 1/2" NPT and are securely anchored to the box so internal piping will not be damaged during installation.

#### GUIDE SPECIFICATION

Provide and install Acorn Recessed Dual Use Remote Supply Box model (specify model number) fabricated from 18 gage, type 304 stainless steel with 16 gage frame and door. Door has keyway operated lock. All exposed stainless steel surfaces including interior stainless steel baffle shall be polished to a satin finish. Control handles shall be polished chrome-plated. Control valve shall be cartridge-operated type with individual screwdriver operated Stop. Diverter valve shall have code approved vacuum breaker. Temperature gage shall be calibrated 0 degree to 200 degree Fahrenheit. Acorn Engineering Company supply boxes do not convey/dispense water for human consumption and intended for irrigation purposes ONLY.

**Hose & Supply Boxes 8210** Stainless Steel Recessed Dual Use Remote Supply Box



**BASE MODEL NUMBER (Must Specify)**

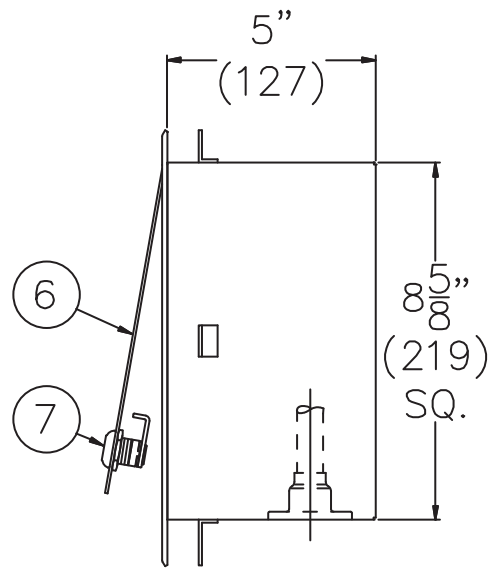
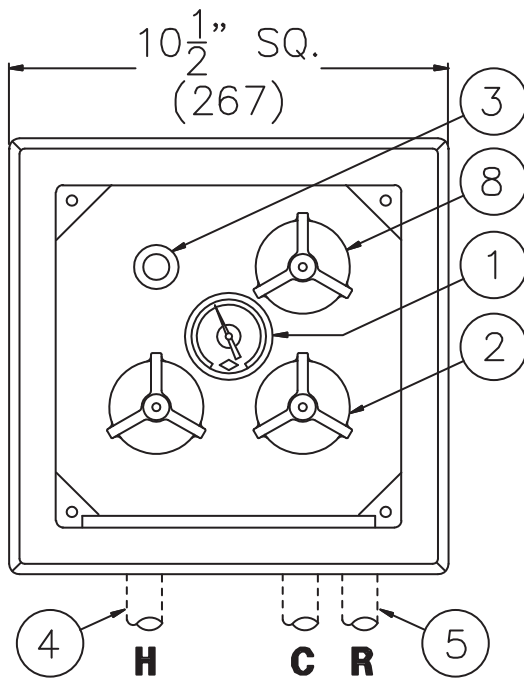
**STAINLESS STEEL RECESSED DUAL USE REMOTE SUPPLY BOX**

- 8210 With Temperature Gage
- 8211 Less Temperature Gage

**PRODUCT OPTIONS**

- \* None Available

Please visit [www.acorneng.com](http://www.acorneng.com) for most current specifications.



MODEL# 8210

**NOTES:**

- 1. Temperature Gage.
- 2. Control Valve.
- 3. Hose Connection.
- 4. H&C Supply Connection.
- 5. Remote Connection.
- 6. Wall Frame with Door.
- 7. Cylinder Lock with Key.
- 8. Diverter Valve.

**WARNING:** Cancer and Reproductive Harm - [www.P65Warnings.ca.gov](http://www.P65Warnings.ca.gov)

<p><b>Important:</b> Installation instructions and current rough-in are furnished with each fixture. Do not rough in without certified dimensions. Dimensions are subject to manufacturer's tolerance of plus or minus 1/4" and change without notice. Acorn assumes no responsibility for use of void or superseded data. © Copyright 2004 Acorn Engineering Company</p>	
<p><b>Selection Summary</b></p> <p>Model No. &amp; Option _____</p> <p>Quantity _____</p>	<p><b>Approved for Manufacturing</b></p> <p>Company _____ Title _____</p> <p>Signature _____ Date _____</p>