



## Hose & Supply Boxes 8215 Series

Stainless Steel Surface-Mounted Dual Use Remote Supply Box



8215

Fixture May Show Some Available Options

Please visit [www.acorneng.com](http://www.acorneng.com) for most current specifications.

### Stainless Steel Surface-Mounted Dual Use Remote Supply Box

**Acorn Stainless Steel Surface-Mounted Dual Use Remote Supply Boxes** are used to supply water to flushing rim drains, can washing drains, shower heads, soap machines, hospital and similar equipment. Transfer valve provides an alternate hose connection. Models with temperature gage are recommended where it is desired to know the temperature of the water being supplied; for example, soap machines and hospital equipment. Temperature gage has a stainless steel case and is calibrated from 0 to 200 degrees Fahrenheit.

**Box** is fabricated from 18 gage, type 304 stainless steel and all seams are continuous welded. It is furnished with four holes on the back for mounting. Wall anchoring hardware by others. Baffle is 22 gage. All exposed surfaces are polished to a satin finish. Door is provided with full length piano hinge, Cam Cylinder Lock with two keys.

**Control Valves** have cast bronze bodies and feature replaceable cartridges containing all wearing parts including the seat. Exposed valve parts are polished chrome-plated. Valves have a screwdriver Stop in each supply behind removable baffle, which permits servicing without shutting down the water supply. The transfer valve diverts water from the remote line to the 3/4" hose connection, or vice versa.

**Vacuum Breaker** prevents contamination of the potable water supply. It is atmospheric type and conforms to the requirements of ASSE Standard 1011 and IAPMO code. Supply and outlet connections are 1/2" NPT and are securely anchored to the box so internal piping will not be damaged during installation.

### GUIDE SPECIFICATION

Provide and install Acorn Surface-Mounted Dual Use Remote Supply Box model (specify model number) fabricated from 18 gage, type 304 stainless steel with full length piano hinged door. Door is key lock operated. All exposed stainless steel surfaces including interior stainless steel baffle shall be polished to a satin finish. Control handles shall be polished chrome-plated. Control valve shall be cartridge-operated type with individual screwdriver operated Stop. Diverter valve shall have code approved vacuum breaker. Temperature gage shall be calibrated from 0 to 200 degrees Fahrenheit. Acorn Engineering Company supply boxes do not convey/dispense water for human consumption and is intended for irrigation purposes ONLY.

**Hose & Supply Boxes 8215** Stainless Steel Surface-Mounted Dual Use Remote Supply Box



**BASE MODEL NUMBER (Must Specify)**

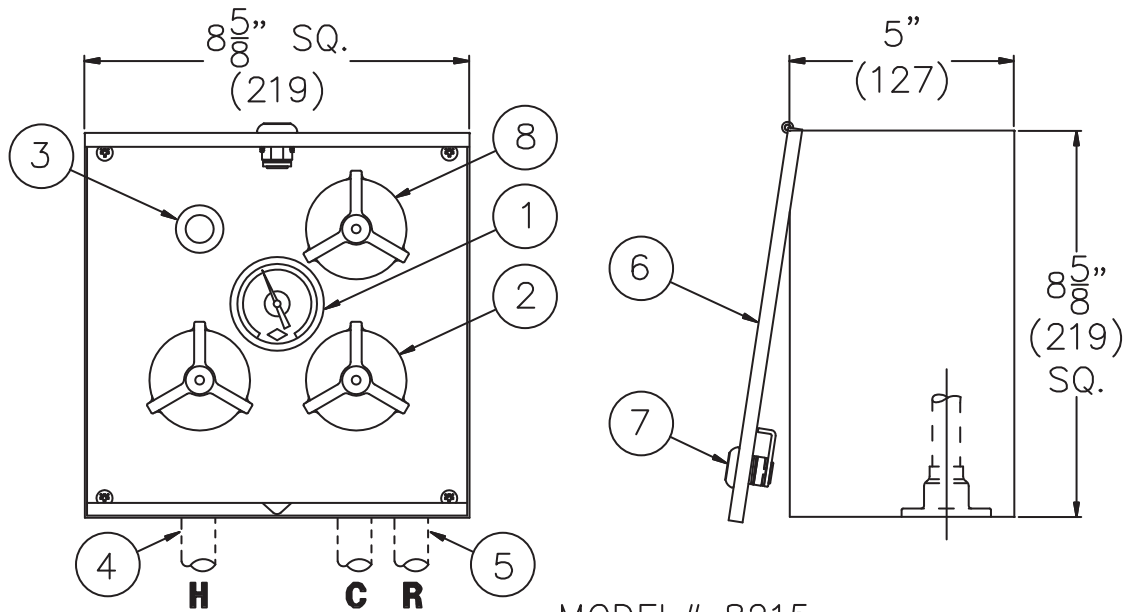
**Product Options**

**STAINLESS STEEL SURFACE MOUNTED DUAL USE  
REMOTE SUPPLY BOX**

- \* None Available

- 8215 With Temperature Gage
- 8216 Less Temperature Gage

Please visit [www.acorneng.com](http://www.acorneng.com) for most current specifications.



MODEL# 8215

**NOTES:**

- |                           |                            |
|---------------------------|----------------------------|
| 1. Temperature Gage.      | 5. Remote Connection.      |
| 2. Control Valve.         | 6. Hinged Door.            |
| 3. Hose Connection.       | 7. Cylinder Lock with Key. |
| 4. H&C Supply Connection. | 8. Diverter Valve.         |

**WARNING:** Cancer and Reproductive Harm - [www.P65Warnings.ca.gov](http://www.P65Warnings.ca.gov)

<p><b>Important:</b> Installation instructions and current rough-in are furnished with each fixture. Do not rough in without certified dimensions.  <small>Dimensions are subject to manufacturer's tolerance of plus or minus 1/4" and change without notice. Acorn assumes no responsibility for use of void or superseded data. © Copyright 2006 Acorn Engineering Company</small></p>	
<p style="text-align: center;">Selection Summary</p> <p>Model No. &amp; Option _____</p> <p>Quantity _____</p>	<p style="text-align: center;">Approved for Manufacturing</p> <p>Company _____ Title _____</p> <p>Signature _____ Date _____</p>