



INSTALLATION, OPERATIONS & MAINTENANCE MANUAL

Please visit www.acorneng.com for most current specifications.

One-Station Wash-Ware® Eco-Trough™
Stainless Steel Trough Sink

ECO-TROUGH™ MODELS:

- SW130
- SW260
- SW390
- SW4120



MODEL# SW260-4LF206-34 CONFIGURATION (SHOWN)

**TECHNICAL ASSISTANCE TOLL FREE TELEPHONE NUMBER:
1.800.591.9360**

Technical Assistance E-mail: Fieldservice@acorneng.com



IMPORTANT

Important: Some options may slightly alter installation. To ensure proper installation review the manual thoroughly and verify rough-ins before beginning any work. File this manual with the owner or maintenance personnel upon completion of installation.

NOTE: The design of the Eco-Trough fixture does not and will not conform with ADA requirements for accessibility.

Prior to installation, supply lines must be flushed of all foreign material such as pipe dope, chips, or solder. Debris or foreign material in water supply may damage valve.

Teflon tape is recommended on all threaded waste and supply connections to reduce the possibility of leaks.

Please refer to the Link or QR code provided.

For Cleaning & Care Guide:

<https://www.acorneng.com/uploads/fileLibrary/9900-008-001.pdf>



Drawing #: 9000-M00-003 6/12/2023

ACORN ENGINEERING COMPANY
P.O. BOX 3527 • CITY OF INDUSTRY, CA 91744 U.S.A.
TOLL FREE 800-488-8999 :: LOCAL 626-336-4561
FAX 626-961-2200 :: www.acorneng.com

ACORN ENGINEERING COMPANY

ACORN ENGINEERING FIELD SERVICE
TOLL FREE 800-743-8259 • LOCAL 626-855-4866 • FAX 626-855-4863



INSTALLATION, OPERATIONS & MAINTENANCE MANUAL

Please visit www.acorneng.com for most current specifications.

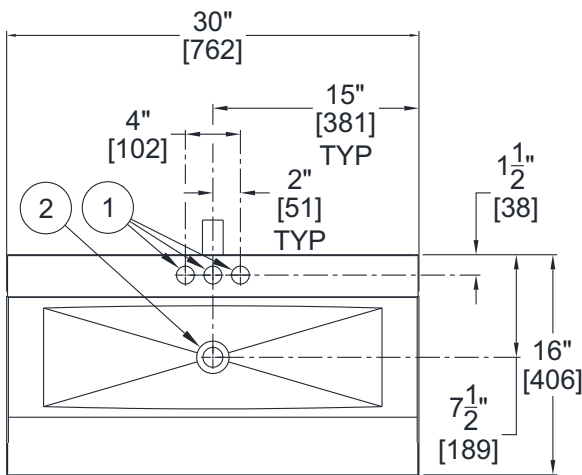
Eco-Trough™ Stainless Steel Trough Sink

DIMENSIONAL/ ROUGH-IN DATA SW130

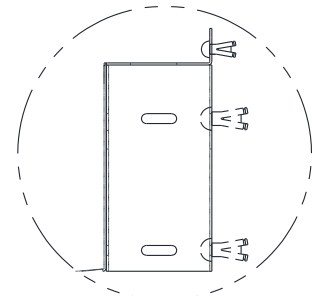
ROUGH-IN PLUMBING & MOUNTING NOTES:

1. (3) 1-5/16" Dia. on 4" Centerset Faucet Drilling TYP
2. 1-7/16" Dia. Drain Opening
3. Waste Outlet for Optional 1-1/2" OD P-trap (Rough-in for Waste Fittings by others shall be determined by installer)
4. Optional 1-1/2" Tail piece & P-trap
5. (8) 1/4" Diameter Mounting Holes for Anchoring, Hardware By Others

TOP VIEW

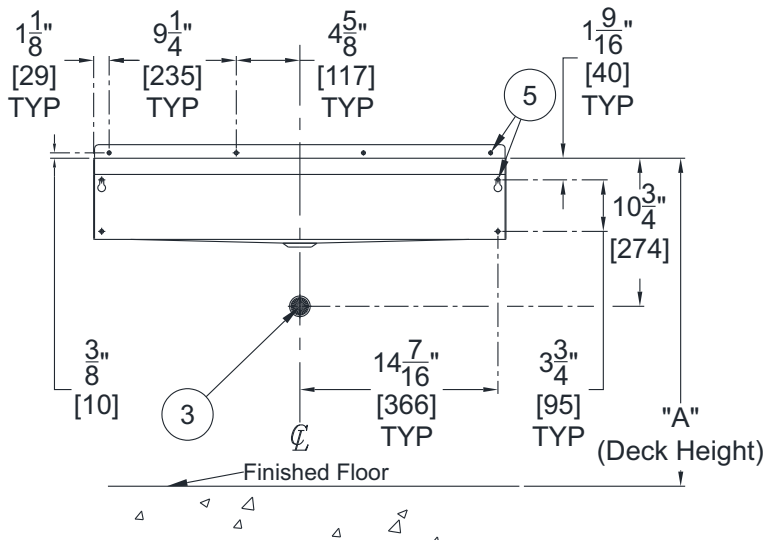


DIMENSION "A" (RIM HEIGHT)	
Child	24"
Junior	30"
Adult	34"

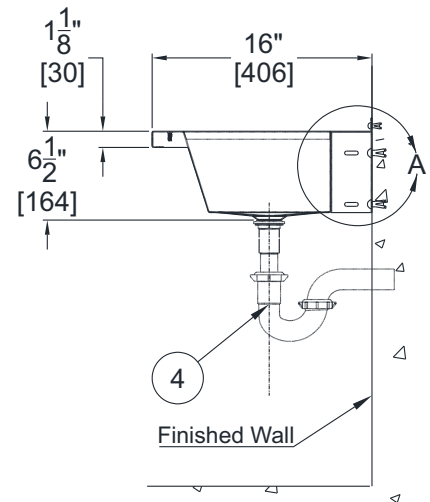


DETAIL: A

FRONT VIEW



SIDE VIEW



Water Supply rough-in for Faucets (optional or provided by others) are not shown and shall be determined by installer to suit requirements and site conditions. For optional Acorn Faucets, refer to individual Faucet Installation Instruction Details for additional information.



INSTALLATION, OPERATIONS & MAINTENANCE MANUAL

Please visit www.acorneng.com for most current specifications.

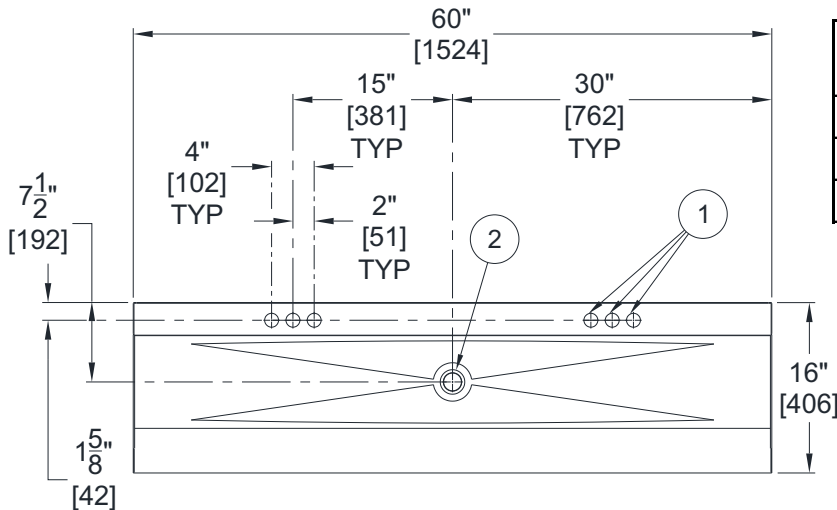
Eco-Trough™ Stainless Steel Trough Sink

DIMENSIONAL/ ROUGH-IN DATA SW260

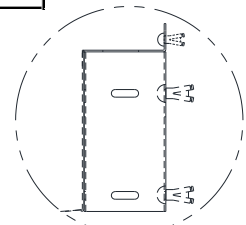
ROUGH-IN PLUMBING & MOUNTING NOTES:

1. (3) 1-5/16" Dia. on 4" Centerset TYP
2. 1-7/16" Dia. Drain Opening
3. Waste Outlet for Optional 1-1/2 OD P-trap (Rough-in for Waste Fittings by others shall be determined by installer)
4. Optional 1-1/2" Tail piece & P-trap
5. (10) 1/4" Diameter Mounting Holes for Anchoring, Hardware By Others

TOP VIEW

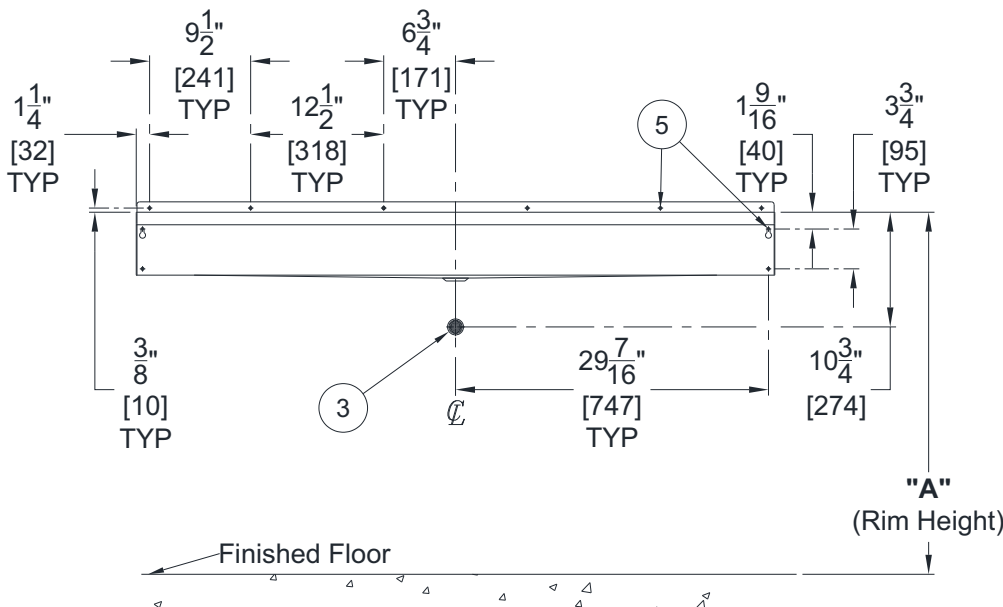


DIMENSION "A" (RIM HEIGHT)	
Child	24"
Junior	30"
Adult	34"

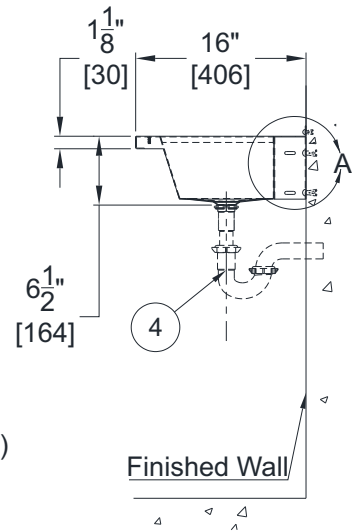


DETAIL: A

FRONT VIEW



SIDE VIEW



Water Supply rough-in for Faucets (optional or provided by others) are not shown and shall be determined by installer to suit requirements and site conditions. For optional Acorn Faucets, refer to individual Faucet Installation Instruction Details for additional information.



INSTALLATION, OPERATIONS & MAINTENANCE MANUAL

Please visit www.acorneng.com for most current specifications.

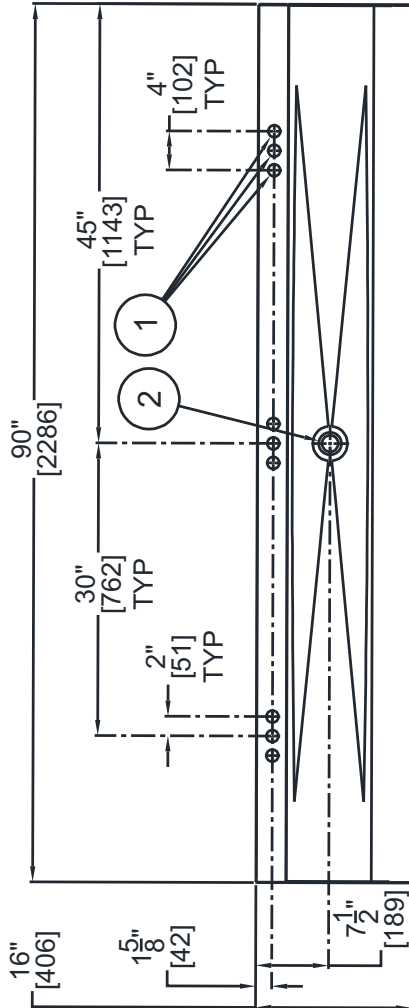
Eco-Trough™ Stainless Steel Trough Sink

ROUGH-IN PLUMBING & MOUNTING NOTES:

1. (3) 1-5/16" Dia. on 4" Centerset TYP
2. 1-7/16" Dia. Drain Opening
3. Waste Outlet for Optional 1-1/2" OD P-trap (Rough-in for Waste Fittings by others shall be determined by installer)
4. Optional 1-1/2" Tailpiece & P-trap
5. (14) 1/4" Diameter Mounting Holes for Anchoring, Hardware By Others

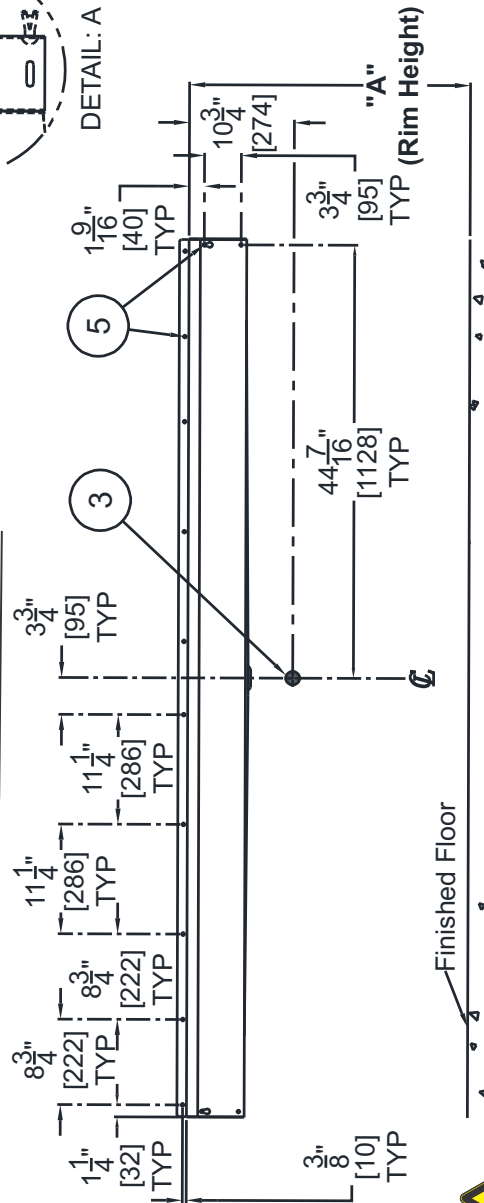
DIMENSIONAL/ROUGH-IN DATA SW390

TOP VIEW

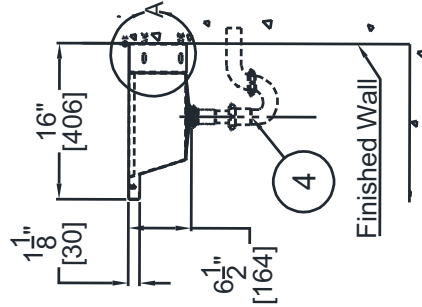
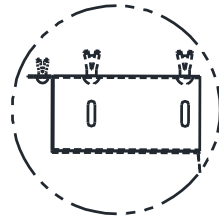


DIMENSION "A" (RIM HEIGHT)	
Child	24"
Junior	30"
Adult	34"

FRONT VIEW



SIDE VIEW



IMPORTANT
Water Supply rough-in for Faucets (optional or provided by others) are not shown and shall be determined by installer to suit requirements and site conditions. For optional Acorn Faucets, refer to individual Faucet Installation Instruction Details for additional information.



INSTALLATION, OPERATIONS & MAINTENANCE MANUAL

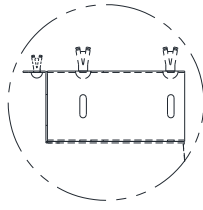
Please visit www.acorneng.com for most current specifications.

Eco-Trough™ Stainless Steel Trough Sink

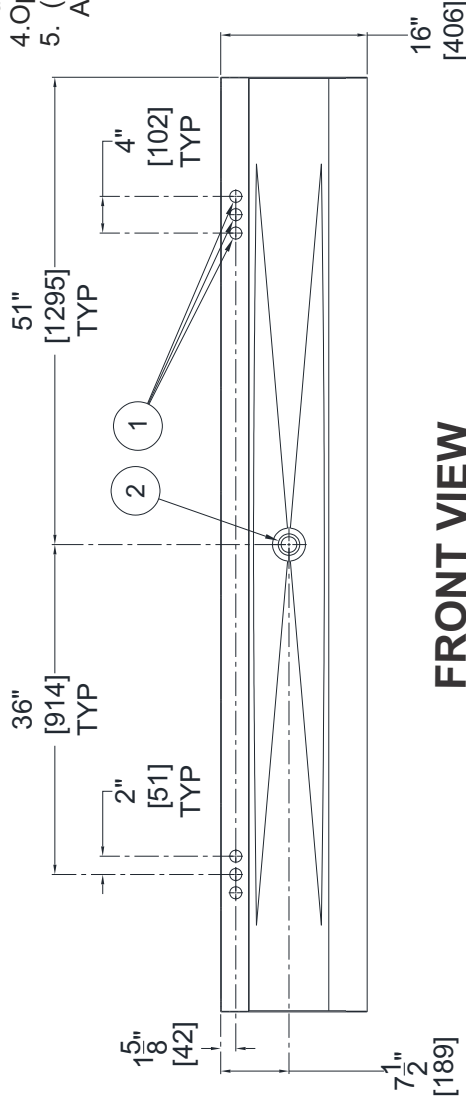
ROUGH-IN PLUMBING & MOUNTING NOTES:

1. (3) 1-5/16" Dia. on 4" Centerset TYP
2. 1-7/16" Dia. Drain Opening
3. Waste Outlet for Optional 1-1/2" OD P-trap (Rough-in for Waste Fittings by others shall be determined by installer)
4. Optional 1-1/2" Tail piece & P-trap
5. (14) 1/4" Diameter Mounting Holes for Anchoring, Hardware By Others

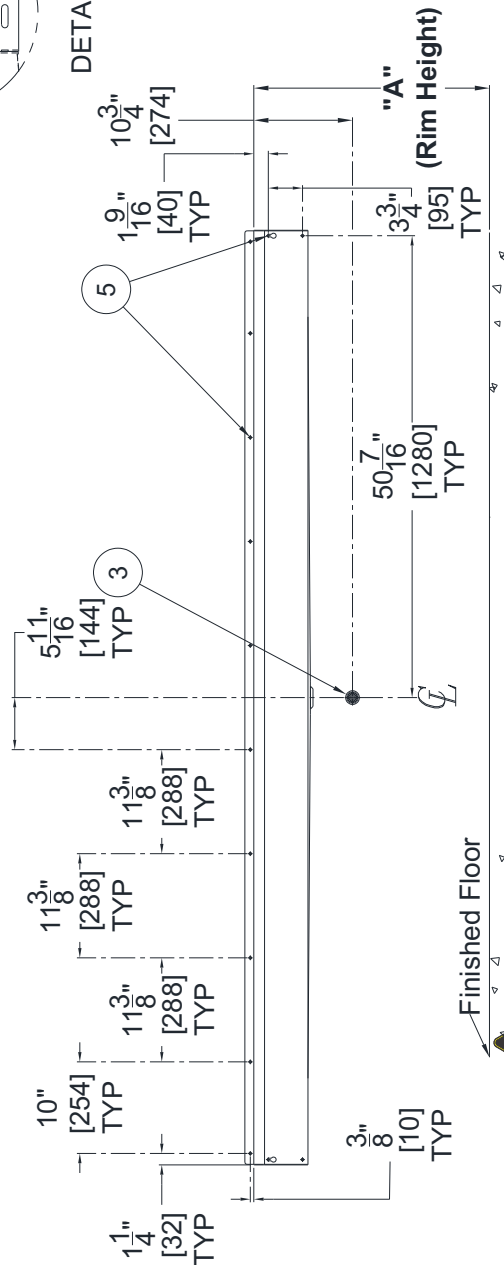
DIMENSION "A" (RIM HEIGHT)	
Child	24"
Junior	30"
Adult	34"



TOP VIEW

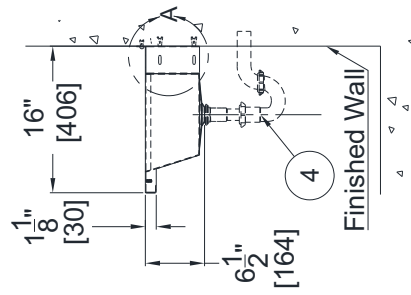


FRONT VIEW



SIDE VIEW

DETAIL: A



IMPORTANT
Water Supply rough-in for Faucets (optional or provided by others) are not shown and shall be determined by installer to suit requirements and site conditions. For optional Acorn Faucets, refer to individual Faucet Installation Instruction Details for additional information.



INSTALLATION, OPERATIONS & MAINTENANCE MANUAL

Please visit www.acorneng.com for most current specifications.

Eco-Trough™ Stainless Steel Trough Sink

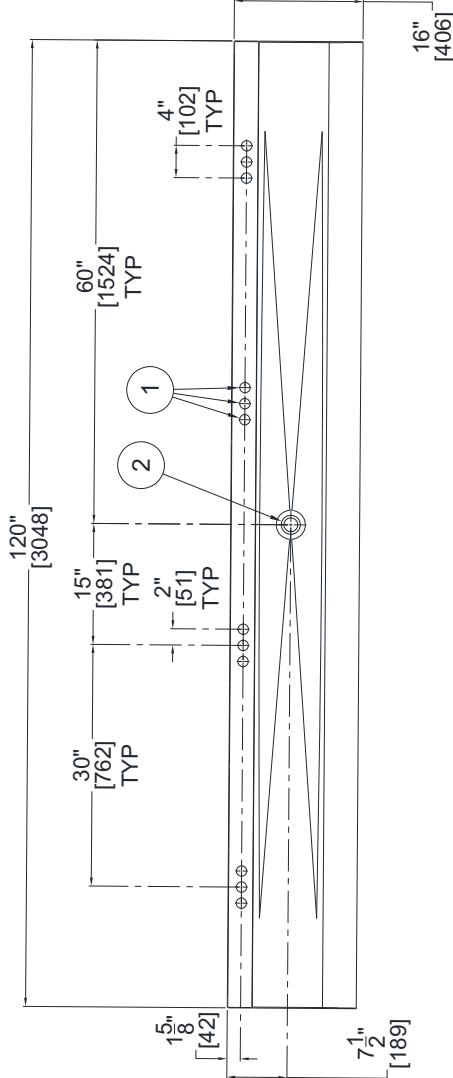
ROUGH-IN PLUMBING & MOUNTING NOTES:

1. (3) 1-5/16" Dia. on 4" Centerset TYP
2. 1-7/16" Dia. Drain Opening
3. Waste Outlet for Optional 1-1/2 OD P-trap (Rough-in for Waste Fittings by others shall be determined by installer)
4. Optional 1-1/2" Tail piece & P-trap
5. (17) 1/4" Diameter Mounting Holes for Anchoring, Hardware By Others

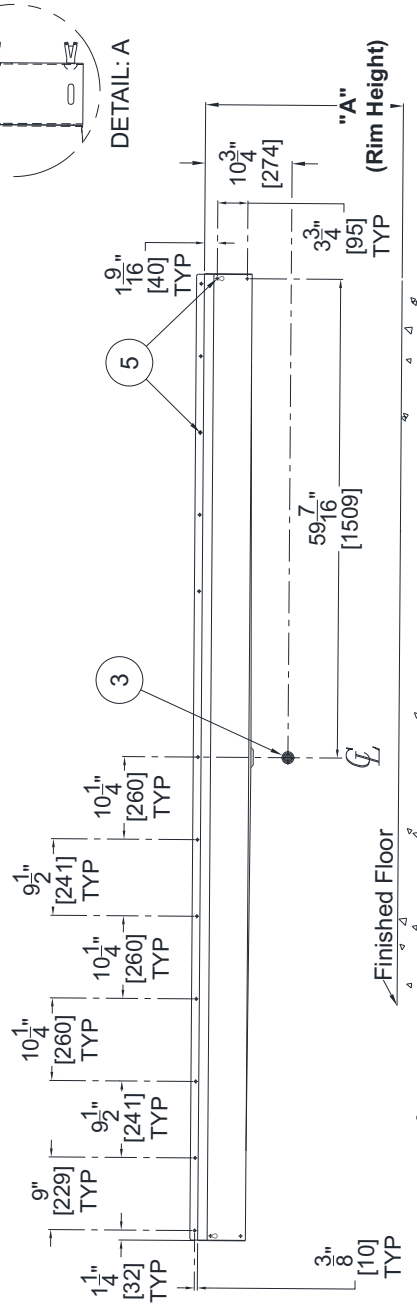
DIMENSION "A" (RIM HEIGHT)	
Child	24"
Junior	30"
Adult	34"

DIMENSIONAL/ ROUGH-IN DATA SW4120

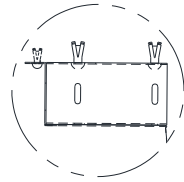
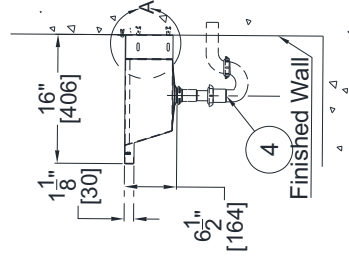
TOP VIEW



FRONT VIEW



SIDE VIEW



DETAIL: A



IMPORTANT
Water Supply rough-in for Faucets (optional or provided by others) are not shown and shall be determined by installer to suit requirements and site conditions. For optional Acorn Faucets, refer to individual Faucet Installation Instruction Details for additional information.



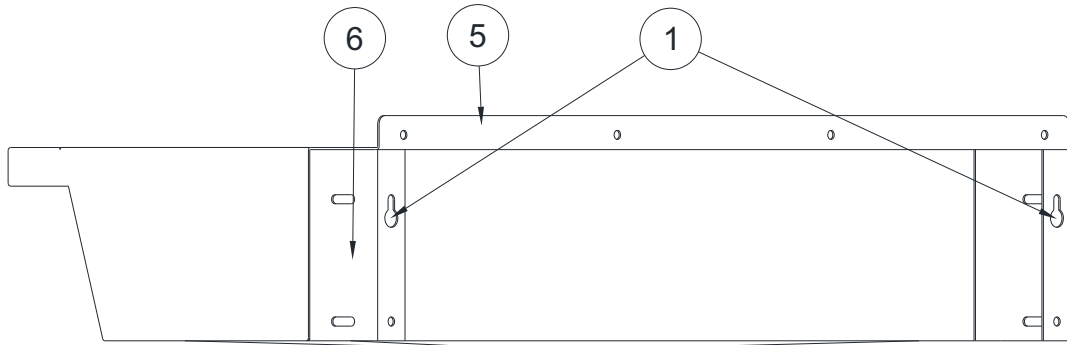
INSTALLATION, OPERATIONS & MAINTENANCE MANUAL

Please visit www.acorneng.com for most current specifications.

Eco-Trough™ Stainless Steel Trough Sink

INSTALLATION

A Mount Hardware (By Others) to Mounting Holes that correspond with Key Hole Slot [1]. Hang Sink against finished wall and slide down to fix in place.



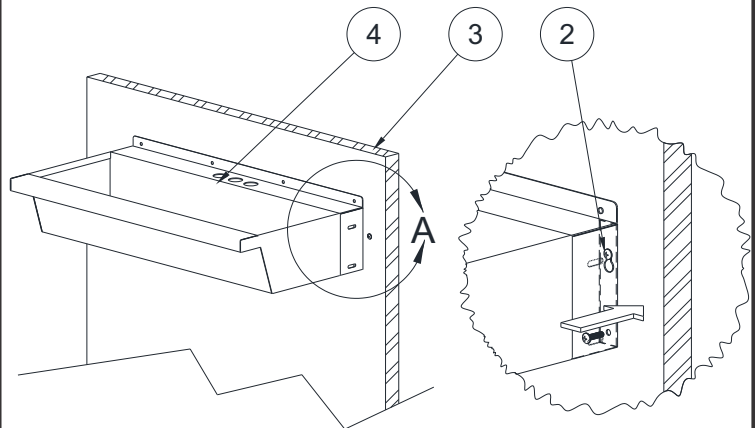
- [1] Key Hole Slots
- [2] Mounting Hardware (By installer)
- [3] Finished Wall
- [4] Eco-Trough Sink
- [5] Top Wall Flange
- [6] Rear side Flange



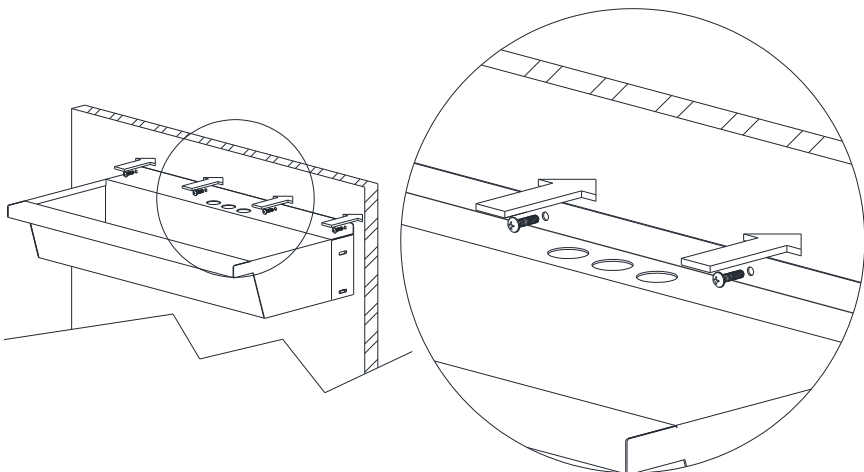
NOTE: Single Station Unit Shown; The two, three, and four station units will differ. Refer to Rough-In sheets for additional information.

NOTE: Optional Front leg Supports and Leg Frame Assembly should be installed prior to mounting Sink.

B Assembly the remaining mounting points as shown on rear flange [6] and across top wall flange [5].



Detail: A



C **Note:** Wall backing for wall hung fixtures is required. Installer provided wall anchoring hardware must be appropriate for wall construction and fixture weight.

Approx. Fixture Weights (w/o Faucets) Lbs.	
SW130	24
SW260	38
SW390	55
SW2102	70
SW4120	78



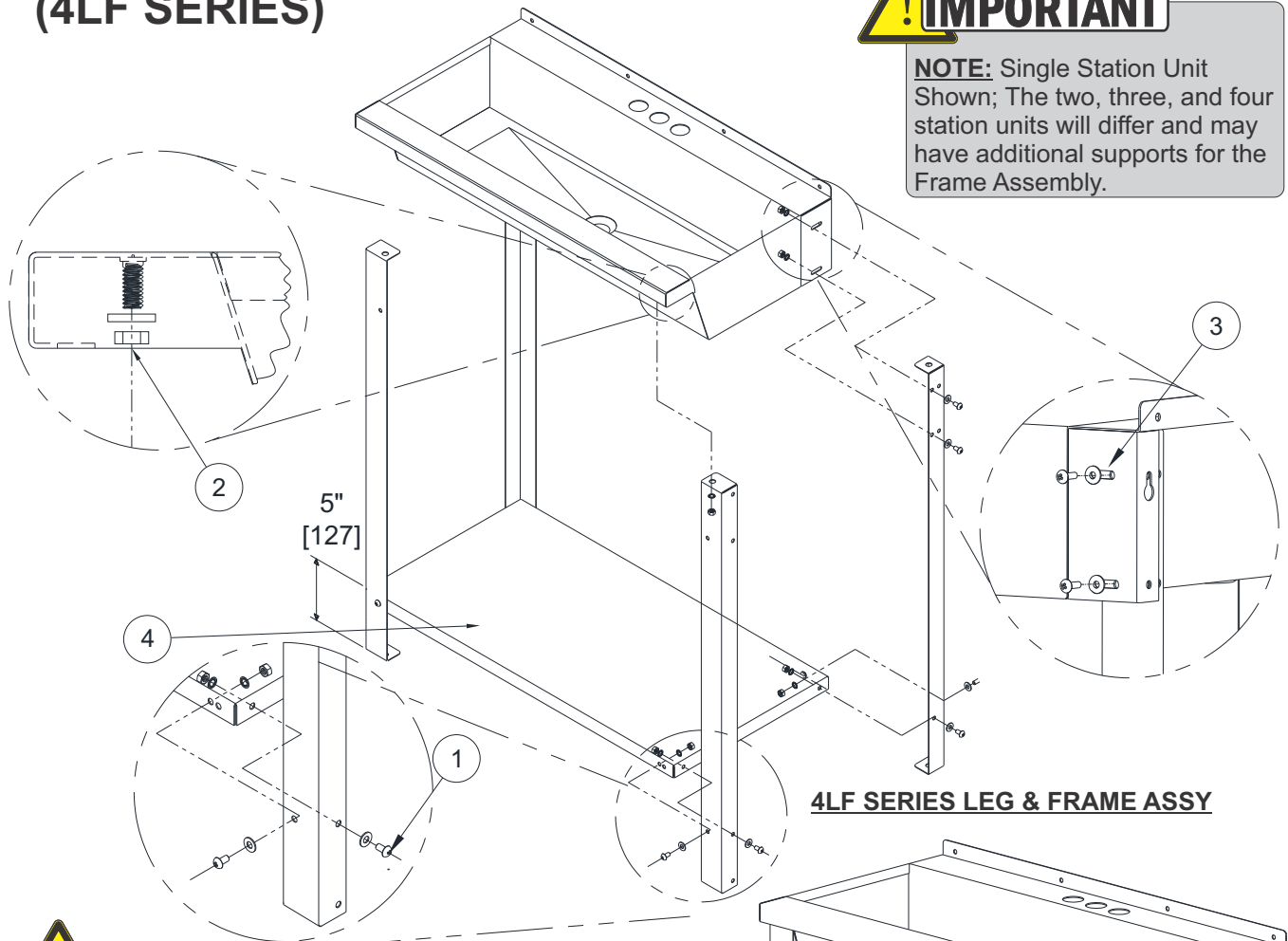
Please visit www.acorneng.com for most current specifications.

Eco-Trough™ Stainless Steel Trough Sink

OPTIONAL FRAME & LEG SUPPORTS (4LF SERIES)



NOTE: Single Station Unit Shown; The two, three, and four station units will differ and may have additional supports for the Frame Assembly.



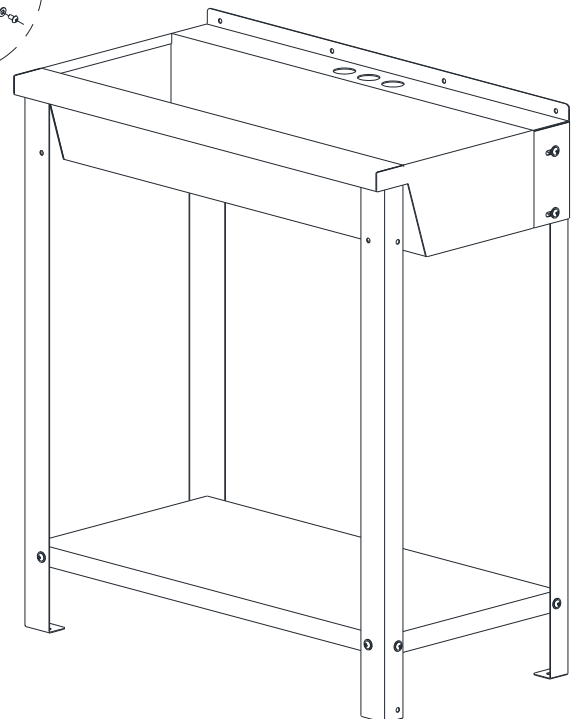
4LF SERIES LEG & FRAME ASSY



NOTE: Optional- Front leg Supports and Leg Frame Assembly should be installed prior to mounting Sink.

4LF Series Four Leg Frame Assembly:

- [A] Assemble the four legs to the Stainless Steel Shelf [4] using the 1/4"-20 UNC Hardware Provided. Connection shown by leader [1].
- [B] Place the Basin onto the Frame assembly. The front Legs will mount to the 1/4"-20 UNC Screw that is welded to the unit. Connection shown by leader [2].
- [C] Back legs will be mounted to the slot as shown by leader [3]. (Note: Legs will be inside of Fixture)
- [D] Note that Fixture will not be hung as shown on installation page.
- [E] Place against finished wall and assembly the remaining mounting points as shown on the installation (Page 7).





Please visit www.acorneng.com for most current specifications.

Eco-Trough™ Stainless Steel Trough Sink

OPTIONAL FRONT LEG SUPPORTS (SW000 SERIES)

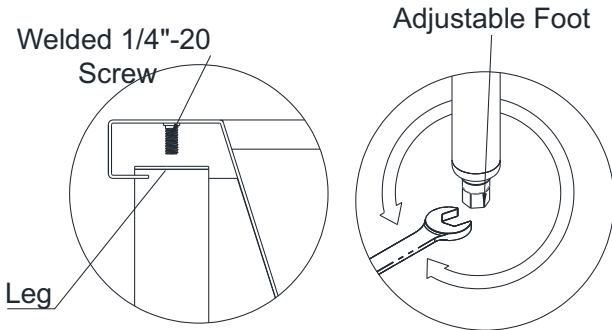
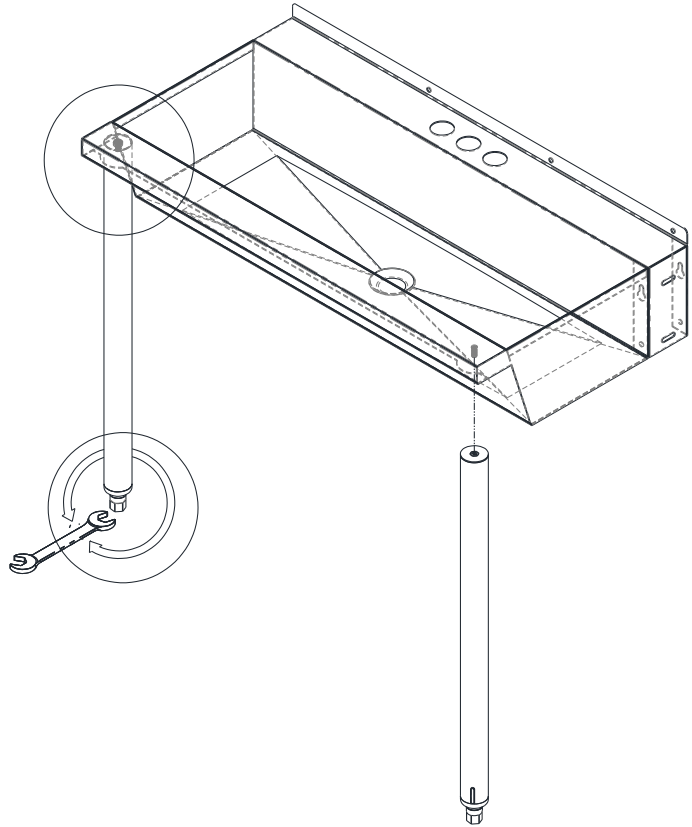


IMPORTANT

Optional - Front leg Supports and Leg Frame Assembly should be installed prior to mounting Sink.

Optional SW000 Front Leg Frame Installation:

- [A] Mount Optional Front leg Supports to 1/4"-20 UNC Screw that is welded to the unit.
- [B] Return to installation instructions (Page 7) and proceed to follow instructions starting from the beginning.

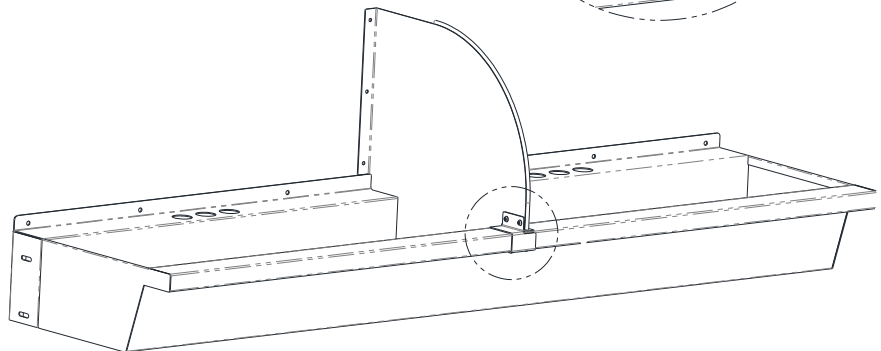
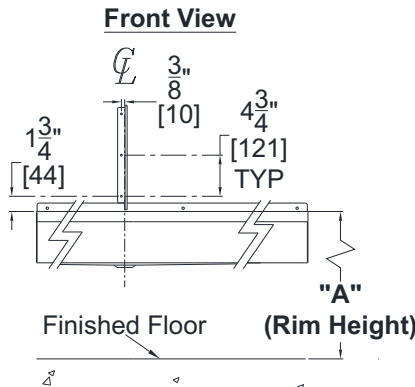
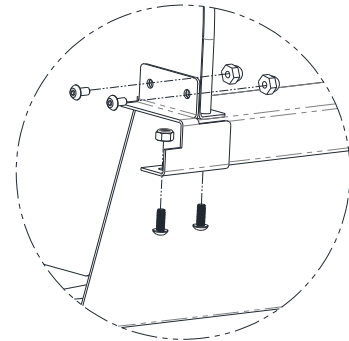


OPTIONAL SLASH GUARD (-SG)



IMPORTANT

Optional -SG Splash Guard is located on centerline between stations. Refer to applicable Installation for dimensional data as required for 2,3, and 4 person units.

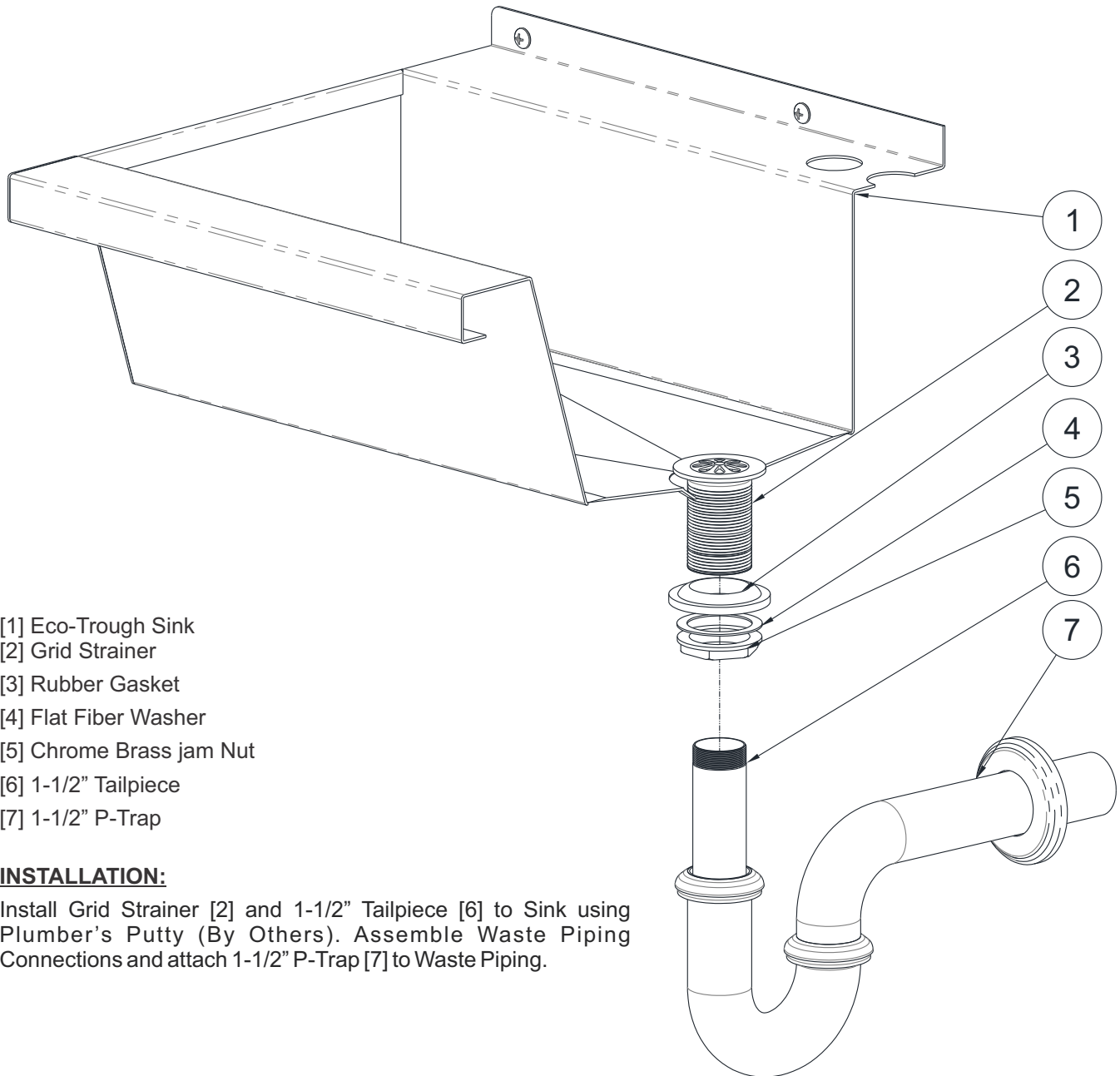




Please visit www.acorneng.com
for most current specifications.

Eco-Trough™ Stainless Steel Trough Sink

OPTIONAL WASTE PLUMBING (SW000-PT / SW000-PTC)



- [1] Eco-Trough Sink
- [2] Grid Strainer
- [3] Rubber Gasket
- [4] Flat Fiber Washer
- [5] Chrome Brass jam Nut
- [6] 1-1/2" Tailpiece
- [7] 1-1/2" P-Trap

INSTALLATION:

Install Grid Strainer [2] and 1-1/2" Tailpiece [6] to Sink using Plumber's Putty (By Others). Assemble Waste Piping Connections and attach 1-1/2" P-Trap [7] to Waste Piping.