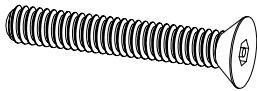
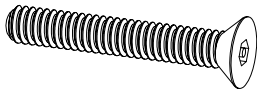
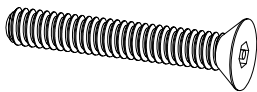
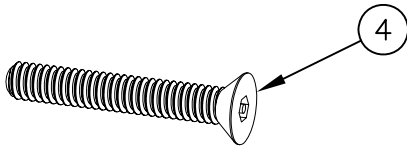
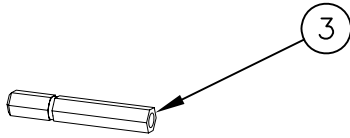
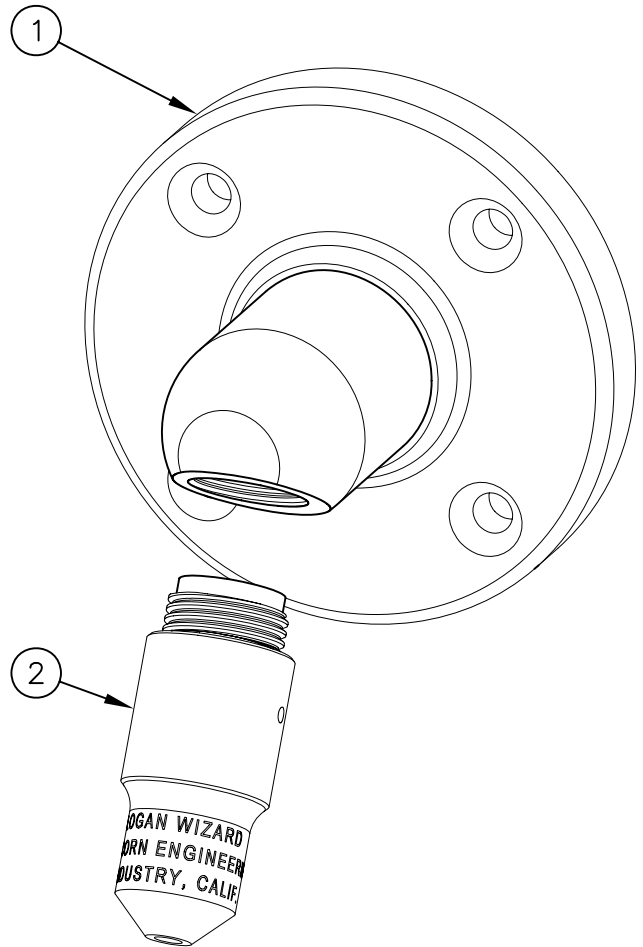


VIEW SCALED: 3/4



1	1115-000-003	CLOSE SHWER HD, BOTTOM SUPPLY INLET	3	0296-025-199	HEX CENTER REJECT DRIVER BIT
2	1192-010-001	SHOWER HEAD NOZZLE	4	0152-022-000	1/4" -20 UNC x 1-1/2" SS FLT HD REJ
ITEM	PART NUMBER	DESCRIPTION	ITEM	PART NUMBER	DESCRIPTION
<b>ACORN ENGINEERING COMPANY</b> P.O. BOX 3527 INDUSTRY, CA. 91744 (626) 336-4561 FAX (626) 961-2200		<b>TITLE</b> FLANGES SHOWER HEADS *521/525			
<b>MANUFACTURE DATE</b> AUGUST 1974 TO PRESENT		<b>DATE ISSUED</b> 07/06/09 <b>DATE REVISED</b> 03/18/11		<b>DRAWING NUMBER</b> 9970-110-004	