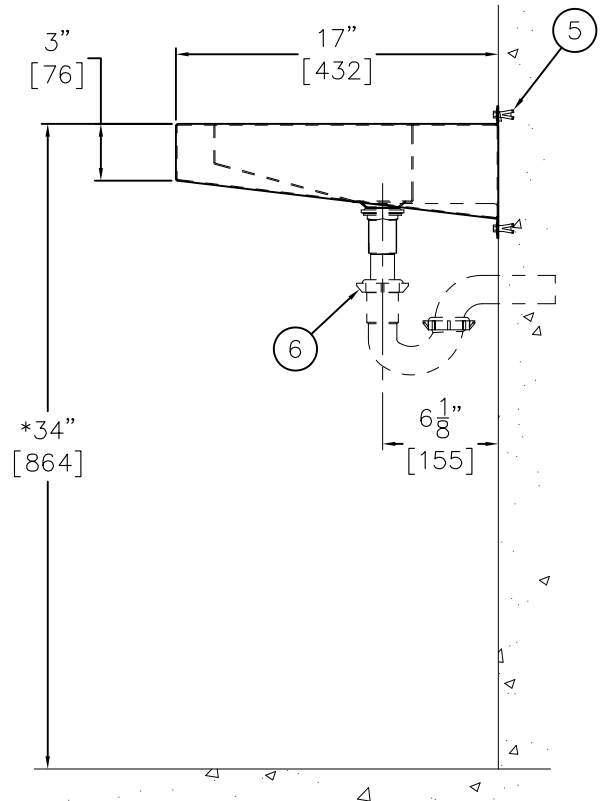
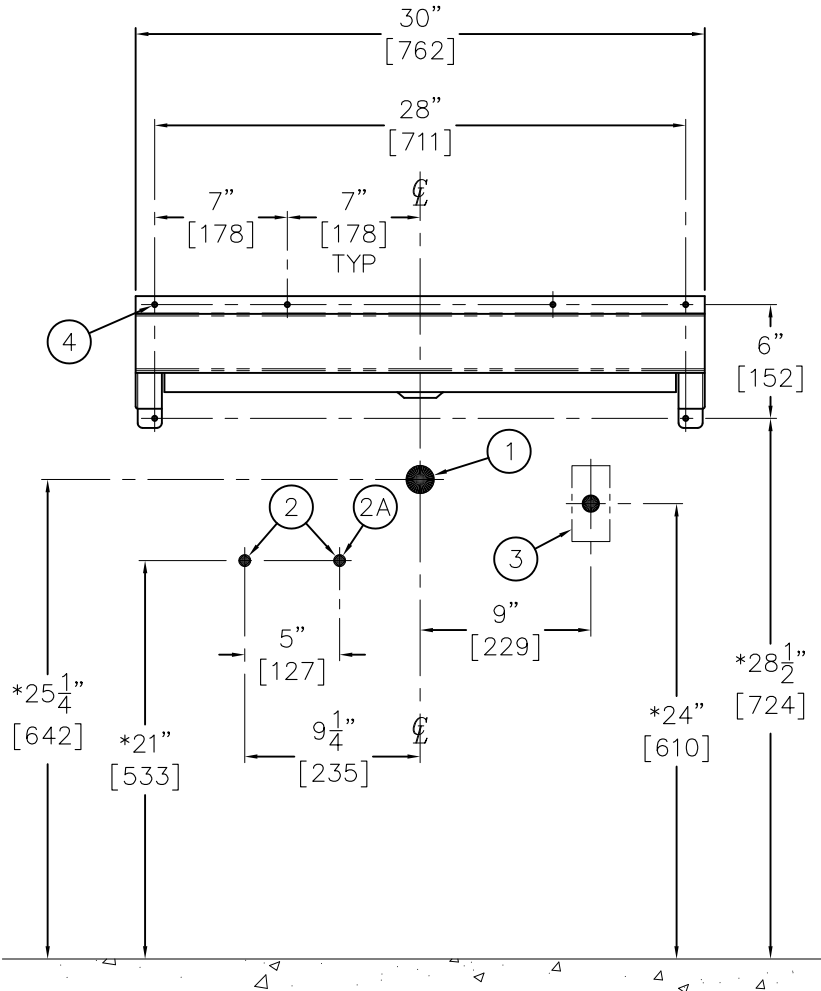


**REFERENCE DRAWINGS:**

-TC1 TRAP COVER INSTALLS 9912-631-001

**DIMENSIONS SHOWN ARE FOR ADA ADULT HEIGHT. ADJUST VERTICAL DIMENSIONS WITH (\*) AS NECESSARY FOR JUVENILE HEIGHTS PER FEDERAL, STATE, & LOCAL CODES**



**INSTALLATION INSTRUCTIONS**


A-ROUGH-IN FOR THE FOLLOWING:

- 1-1/2" OD WASTE OUTLET (1).
- 1/2" NPT HOT & COLD SUPPLY INLETS (2), FOR OPTIONAL FAUCET OR FAUCET BY OTHERS.
- 3/8" O.D. COLD SUPPLY INLETS (2A) FOR OPTIONAL BOTTLE FILLER.
- 120VAC, 60 Hz, 3A (MAX.) GFCI PROTECTED, ELECTRICAL RECEPTACLE (3) FOR OPTIONAL SENSOR OPERATED FAUCET, BOTTLE FILLER AND SOAP DISPENSER.
- (6) WALL MOUNTING PUNCHING (4), FOR INSTALLER PROVIDED 1/4" WALL ANCHORS AND ANCHORING HARDWARE (5).

B-ANCHOR FIXTURE TO WALL USING INSTALLER PROVIDED ANCHORING HARDWARE (5).

C-MAKE UP WASTE CONNECTION FOR OPTIONAL GRID STRAINER WITH P-TRAP (6) OR WASTE FITTINGS BY OTHERS.

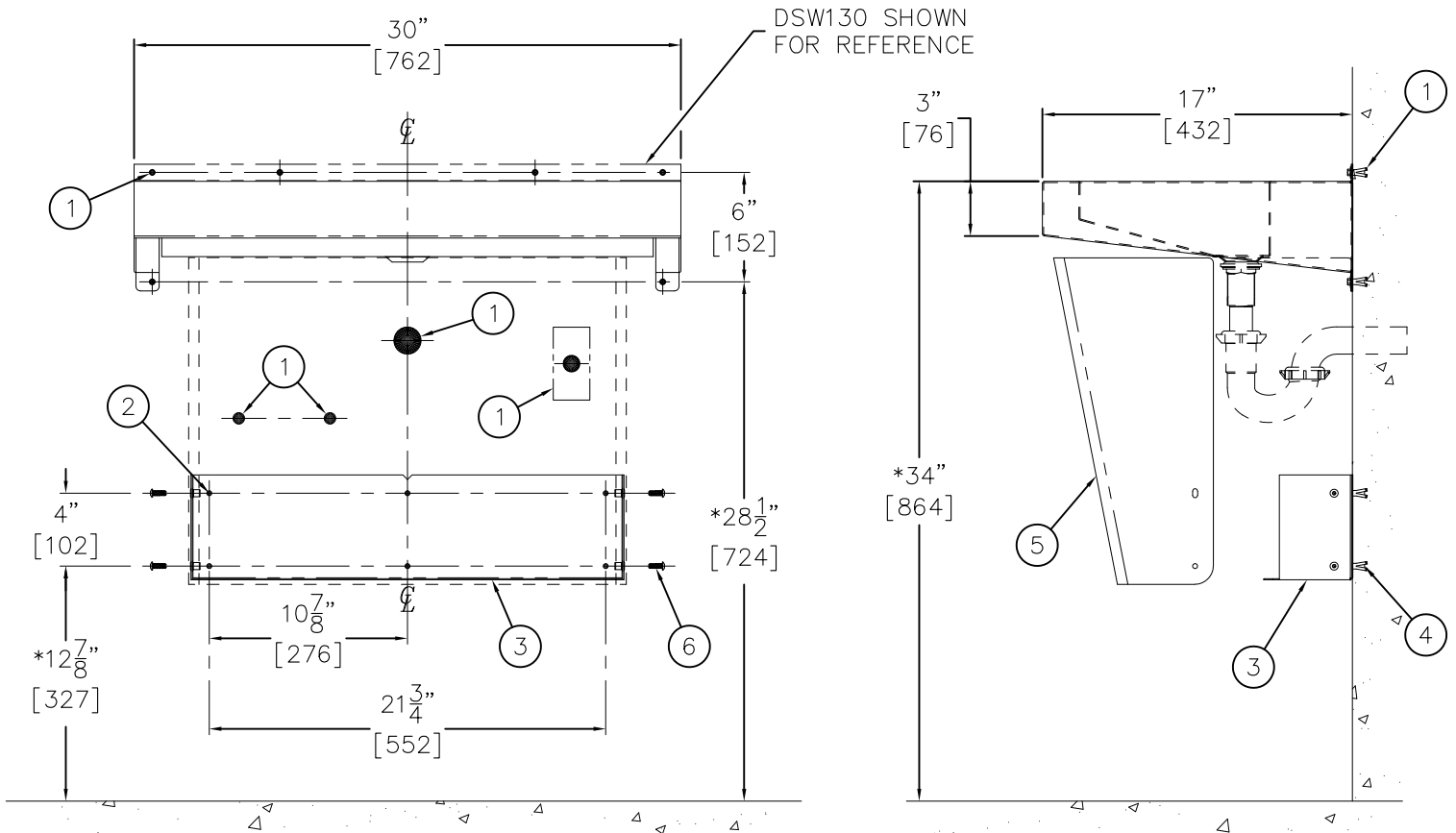
D-FLUSH SUPPLY LINES (2) PRIOR TO MAKING UP CONNECTIONS FOR OPTIONAL FAUCET OR BOTTLE FILLER.

 <p><b>MORRIS GROUP INTL</b> P.O. BOX 3527 Industry, CA 91744 MORRIS GROUP 15125 Proctor Ave Industry, CA 91746 INTERNATIONAL (626) 336-4561 FAX (626) 961-2200</p>	<p>TITLE <b>ROUGHS AND INSTALLATION INSTRUCTIONS FOR DSW130 &amp; MD-DSW130</b></p>	
	<p>MANUFACTURE DATE <b>DECEMBER 2020</b> <b>TO PRESENT</b></p>	<p>DATE ISSUED <b>12/11/20</b></p> <p>DATE REVISED <b>10/27/21 B</b></p>

**REFERENCE DRAWINGS:**

DSW130 & MD-DSW130	9912-630-001
DSW260 & MD-DSW260	9912-640-001
DSW390 & MD-DSW390	9912-650-001
DSW4120 & MD-DSW4120	9912-660-001

**DIMENSIONS SHOWN ARE FOR ADA ADULT HEIGHT. ADJUST VERTICAL DIMENSIONS WITH (\*) AS NECESSARY FOR JUVENILE HEIGHTS PER FEDERAL, STATE, & LOCAL CODES**




**INSTALLATION INSTRUCTIONS:**

A-ROUGH-IN FOR THE FOLLOWING:

- SEE APPROPRIATE ROUGH-IN SHEET FOR ITEMS ①.
- (6) WALL MOUNTING POINTS ②, FOR TRAP ENCLOSURE MOUNTING BRACKET ③ FOR INSTALLER PROVIDED 1/4" WALL ANCHORS AND ANCHORING HARDWARE ④.

- B-ANCHOR MOUNTING BRACKET ③ TO WALL USING INSTALLER PROVIDED ANCHORING HARDWARE ④.
- C-MOUNT TRAP ENCLOSURE ⑤ TO MOUNTING BRACKET ③ WITH PROVIDED FASTENERS ⑥.

 <p><b>MORRIS GROUP INTL</b> P.O. BOX 3527 Industry, CA 91744 MORRIS GROUP INTERNATIONAL 15125 Proctor Ave Industry, CA 91746 (626) 336-4561 FAX (626) 961-2200</p>	<p>TITLE <b>OPTIONAL -TC1 TRAP COVER INSTALLATION INSTRUCTION</b></p>	
	<p>MANUFACTURE DATE <b>JANUARY 2021</b> <b>TO PRESENT</b></p>	<p>DATE ISSUED <b>01/04/21</b></p> <p>DATE REVISED <b>10/27/21 A</b></p>