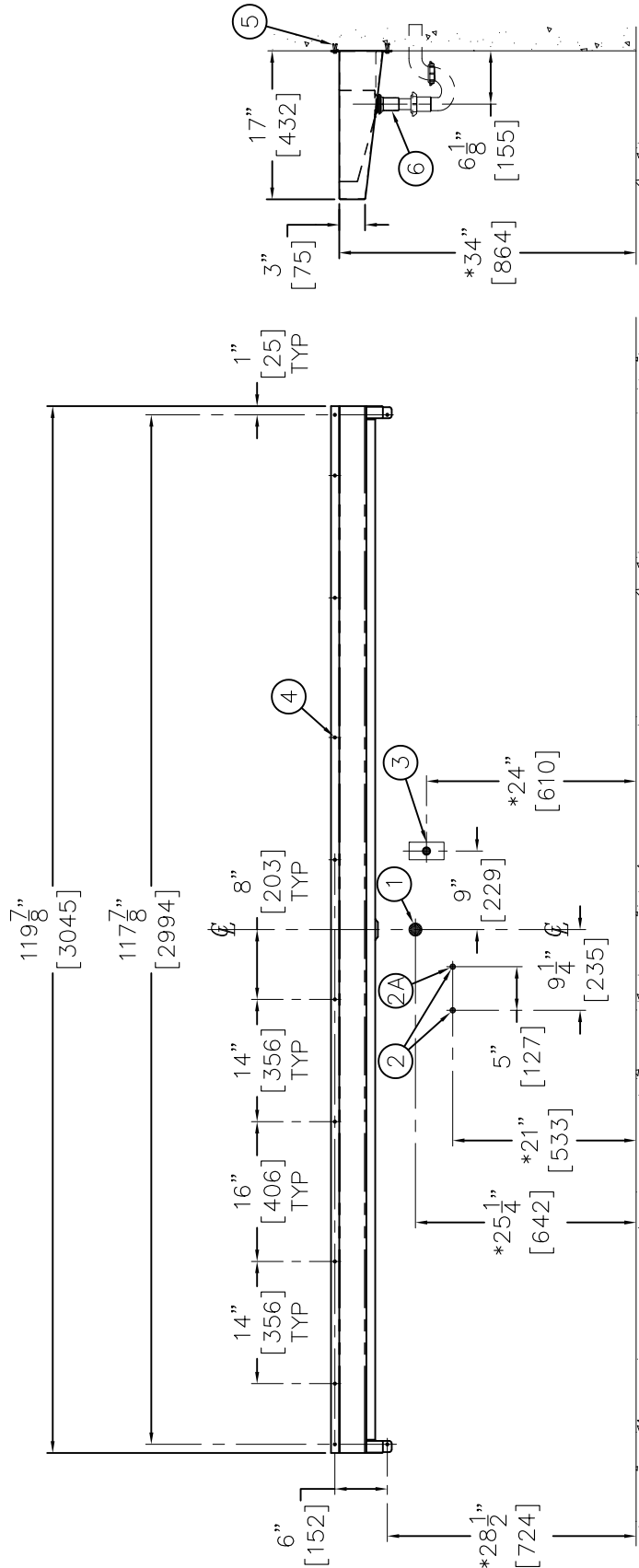


DIMENSIONS SHOWN ARE FOR ADA ADULT HEIGHT. ADJUST VERTICAL DIMENSIONS WITH (*) AS NECESSARY FOR JUVENILE HEIGHTS PER FEDERAL, STATE, & LOCAL CODES

REFERENCE DRAWINGS:	
- TC1 TRAP COVER INSTALLS	9912-631-001
- TC2 TRAP COVER INSTALLS	9912-641-001
- TC3 TRAP COVER INSTALLS	9912-661-001
- TC12 TRAP COVER INSTALLS	9912-662-001



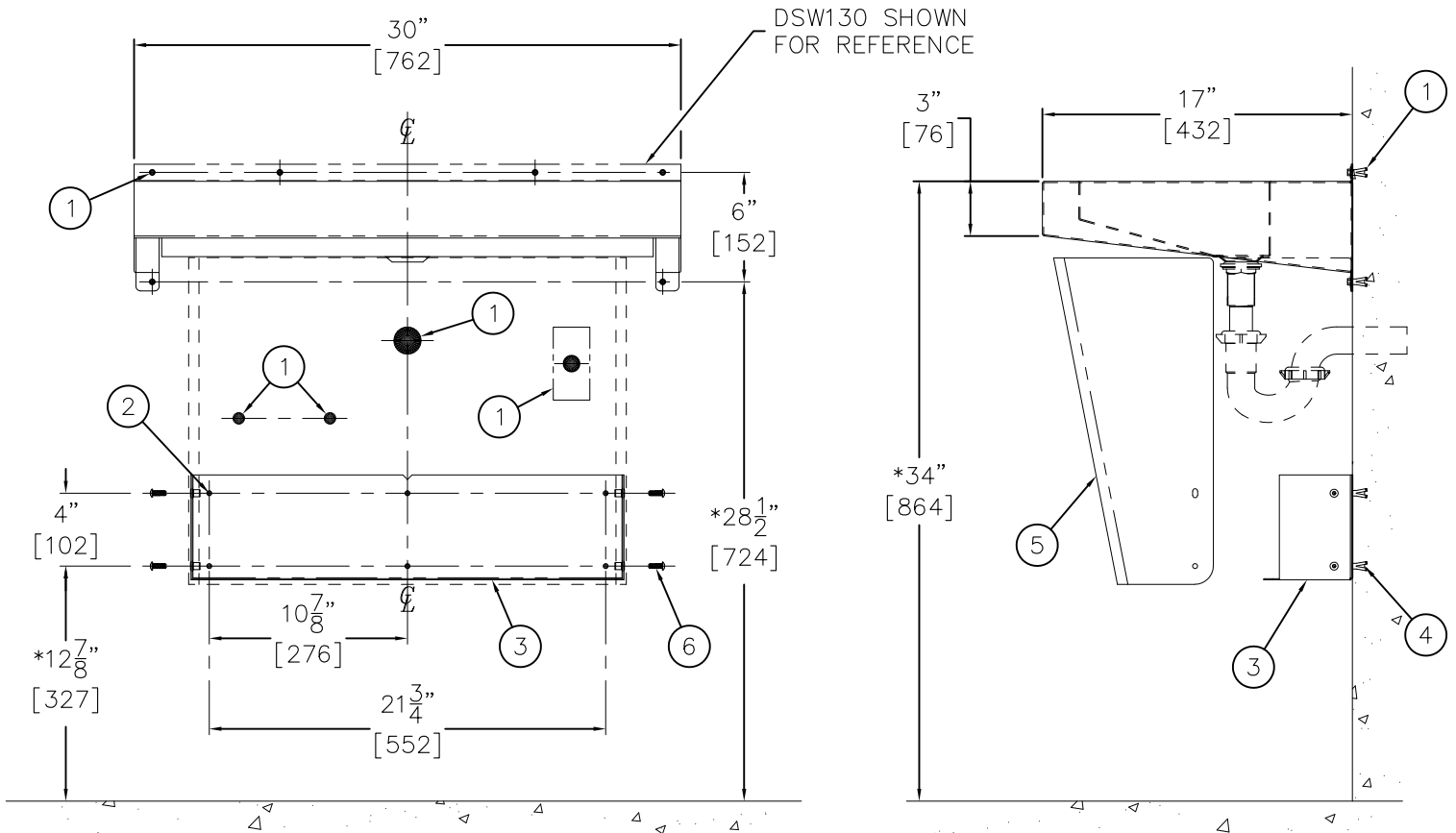
INSTALLATION INSTRUCTIONS

A-ROUGH-IN FOR THE FOLLOWING:

- 1-1/2" OD WASTE OUTLET (1).
 - 1/2" NPT HOT & COLD SUPPLY INLETS (2), FOR OPTIONAL FAUCET OR FAUCET BY OTHERS.
 - 3/8" O.D. COLD SUPPLY INLETS (2A) FOR OPTIONAL BOTTLE FILLER.
 - 120VAC, 60 Hz, 3A (MAX.) GFCI PROTECTED, ELECTRICAL RECEPTACLE (3) FOR OPTIONAL SENSOR OPERATED FAUCET, BOTTLE FILLER AND SOAP DISPENSER.
 - (12) WALL MOUNTING PUNCHING (4), FOR INSTALLER PROVIDED 1/4" WALL ANCHORS AND ANCHORING HARDWARE (5).
- B-ANCHOR FIXTURE TO WALL USING INSTALLER PROVIDED ANCHORING HARDWARE (5).
- C-MAKE UP WASTE CONNECTION FOR OPTIONAL GRID STRAINER WITH P-TRAP (6) OR WASTE FITTINGS BY OTHERS.
- D-FLUSH SUPPLY LINES (2) PRIOR TO MAKING UP CONNECTIONS OPTIONAL FAUCET OR BOTTLE FILLER.

REFERENCE DRAWINGS:	
DSW130 & MD-DSW130	9912-630-001
DSW260 & MD-DSW260	9912-640-001
DSW390 & MD-DSW390	9912-650-001
DSW4120 & MD-DSW4120	9912-660-001

DIMENSIONS SHOWN ARE FOR ADA ADULT HEIGHT. ADJUST VERTICAL DIMENSIONS WITH (*) AS NECESSARY FOR JUVENILE HEIGHTS PER FEDERAL, STATE, & LOCAL CODES



INSTALLATION INSTRUCTIONS:

A-ROUGH-IN FOR THE FOLLOWING:

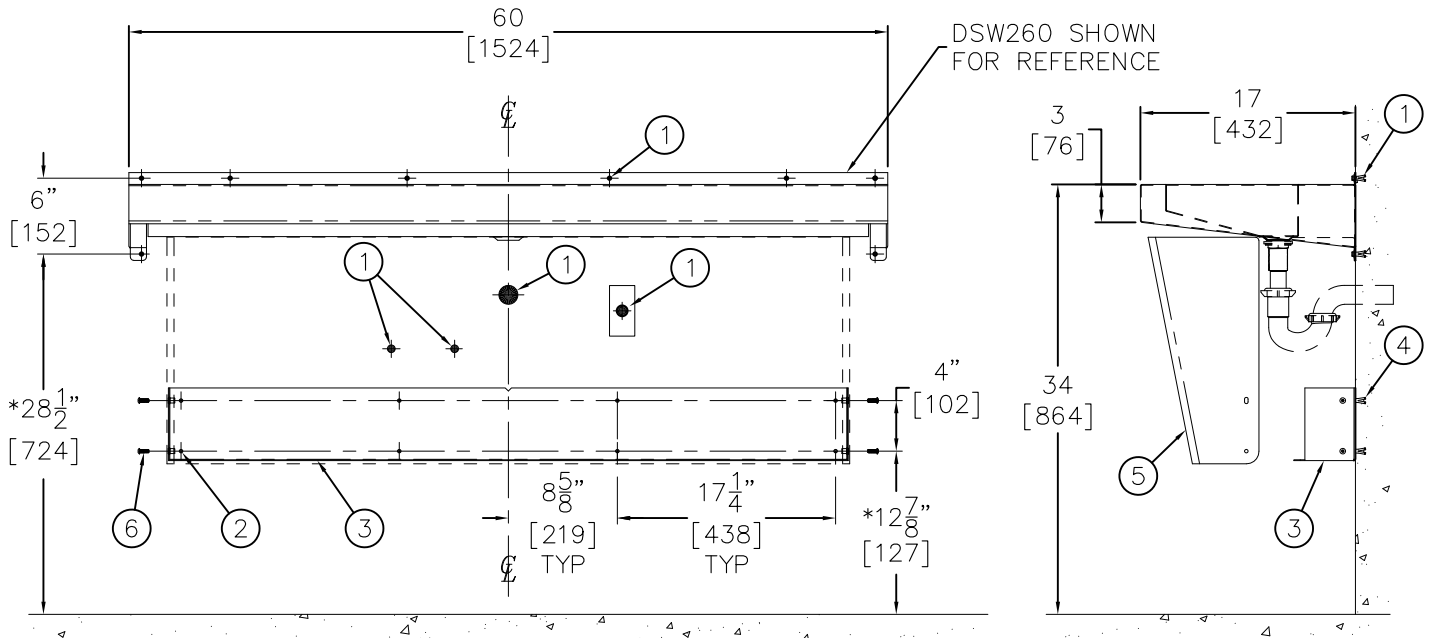
- SEE APPROPRIATE ROUGH-IN SHEET FOR ITEMS ①.
- (6) WALL MOUNTING POINTS ②, FOR TRAP ENCLOSURE MOUNTING BRACKET ③ FOR INSTALLER PROVIDED 1/4" WALL ANCHORS AND ANCHORING HARDWARE ④.

- B-ANCHOR MOUNTING BRACKET ③ TO WALL USING INSTALLER PROVIDED ANCHORING HARDWARE ④.
- C-MOUNT TRAP ENCLOSURE ⑤ TO MOUNTING BRACKET ③ WITH PROVIDED FASTENERS ⑥.

<p>MORRIS GROUP INTL P.O. BOX 3527 Industry, CA 91744 MORRIS GROUP INTERNATIONAL 15125 Proctor Ave Industry, CA 91746 (626) 336-4561 FAX (626) 961-2200</p>	<p>TITLE OPTIONAL -TC1 TRAP COVER INSTALLATION INSTRUCTION</p>	
	<p>MANUFACTURE DATE</p> <p>JANUARY 2021</p> <p>TO PRESENT</p>	<p>DATE ISSUED</p> <p>01/04/21</p> <p>DATE REVISED</p> <p>10/27/21 A</p>

REFERENCE DRAWINGS:	
DSW260 & MD-DSW260	9912-640-001
DSW4120 & MD-DSW4120	9912-660-001

DIMENSIONS SHOWN ARE FOR ADA ADULT HEIGHT. ADJUST VERTICAL DIMENSIONS WITH (*) AS NECESSARY FOR JUVENILE HEIGHTS PER FEDERAL, STATE, & LOCAL CODES



INSTALLATION INSTRUCTIONS:

A- ROUGH-IN FOR THE FOLLOWING:

- SEE APPROPRIATE ROUGH-IN SHEET FOR ITEMS ①.
- (8) WALL MOUNTING POINTS ②, FOR TRAP ENCLOSURE MOUNTING BRACKET ③ FOR INSTALLER PROVIDED 1/4" WALL ANCHORS AND ANCHORING HARDWARE ④.

B- ANCHOR MOUNTING BRACKET ③ TO WALL USING INSTALLER PROVIDED ANCHORING HARDWARE ④.

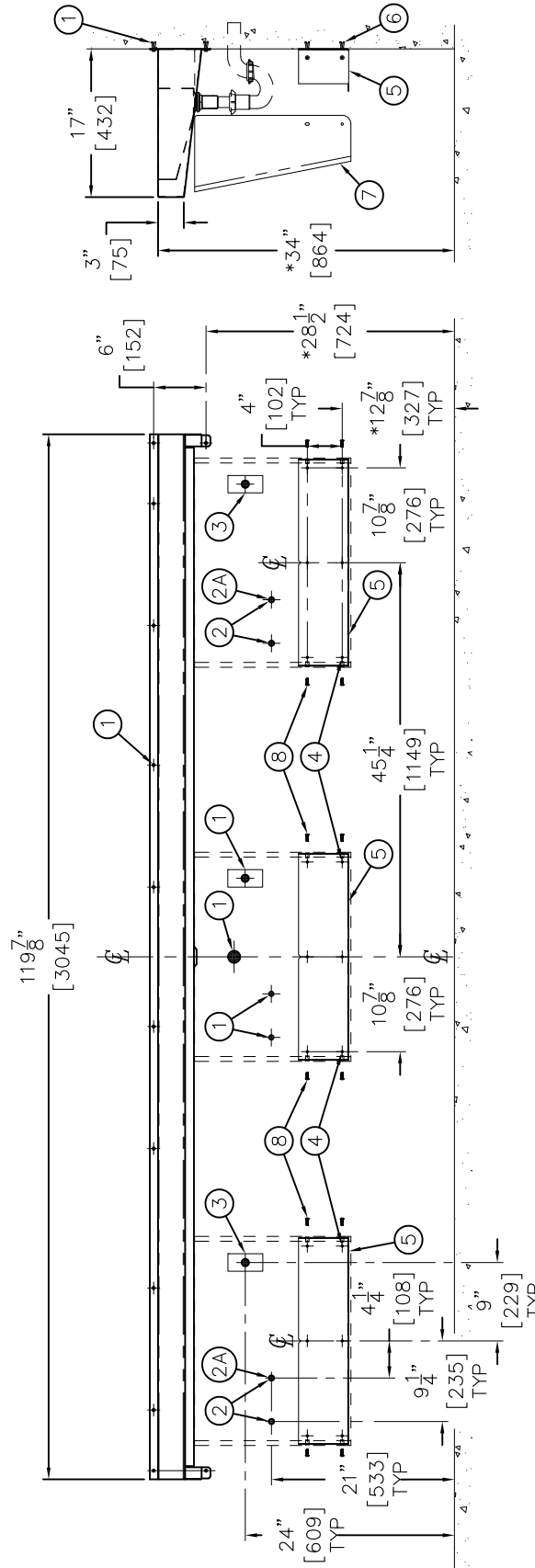
C- MOUNT TRAP ENCLOSURE ⑤ TO MOUNTING BRACKET ③ WITH PROVIDED FASTENERS ⑥.

<p>MORRIS GROUP INTL P.O. BOX 3527 Industry, CA 91744 MORRIS GROUP 15125 Proctor Ave Industry, CA 91746 INTERNATIONAL (626) 336-4561 FAX (626) 961-2200</p>	<p>TITLE OPTIONAL -TC2 TRAP COVER INSTALLATION INSTRUCTION</p>	
	<p>MANUFACTURE DATE</p> <p>JANUARY 2021</p> <p>TO PRESENT</p>	<p>DATE ISSUED</p> <p>01/04/21</p> <p>DATE REVISED</p> <p>10/27/21 A</p>

DIMENSIONS SHOWN ARE FOR ADA ADULT HEIGHT. ADJUST VERTICAL DIMENSIONS WITH (*) AS NECESSARY FOR JUVENILE HEIGHTS PER FEDERAL, STATE, & LOCAL CODES

REFERENCE DRAWINGS:

DSW4120 & MD-DSW4120 9912-660-001



INSTALLATION INSTRUCTIONS

A- ROUGH-IN FOR THE FOLLOWING:

- SEE APPROPRIATE ROUGH-IN SHEET FOR ITEMS ①.
- 1/2" NPT HOT & COLD SUPPLY INLETS ②, FOR OPTIONAL FAUCET OR FAUCET BY OTHERS.
- 3/8" O.D. COLD SUPPLY INLETS ②A FOR OPTIONAL BOTTLE FILLER.
- 120VAC, 60 Hz, 3A (MAX.) GFCI PROTECTED, ELECTRICAL RECEPTACLE ③ FOR OPTIONAL SENSOR OPERATED FAUCET, BOTTLE FILLER AND SOAP DISPENSER.

ROUGH-IN FOR THE FOLLOWING CONTINUES:

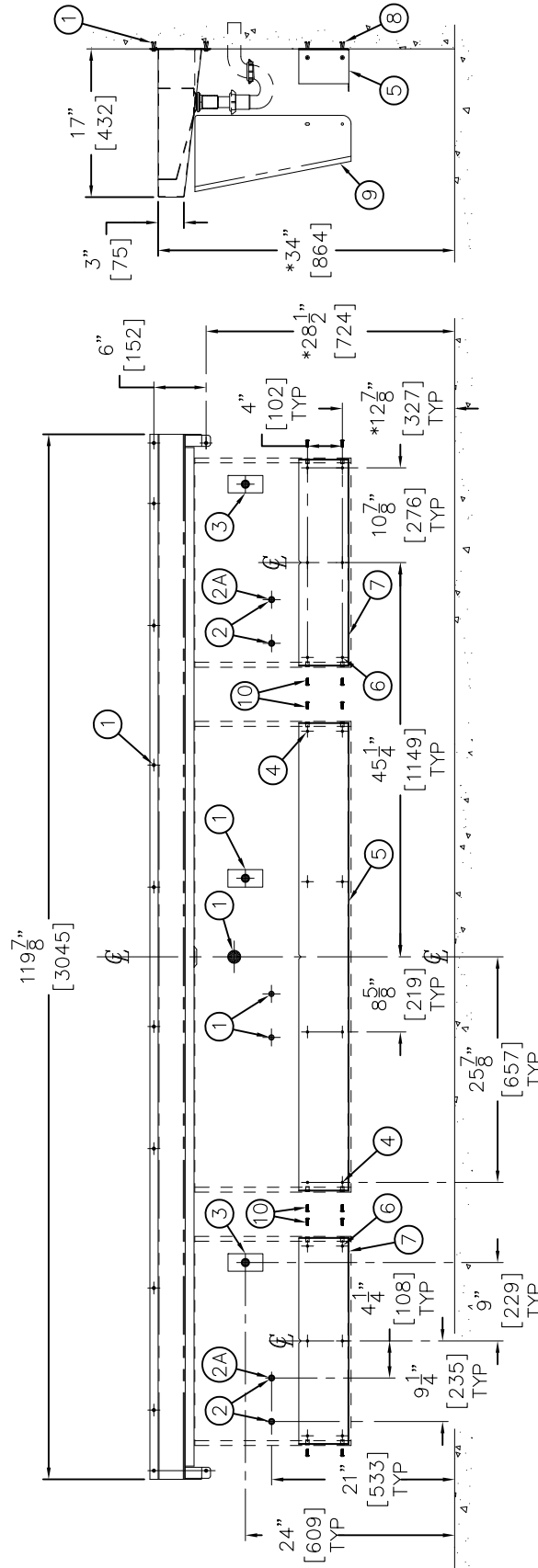
- (6) WALL MOUNTING POINTS ④, FOR EACH TRAP ENCLOSURE MOUNTING BRACKET ⑤ FOR INSTALLER PROVIDED 1/4" WALL ANCHORS AND ANCHORING HARDWARE ⑥.
- B- ANCHOR MOUNTING BRACKET ⑤ TO WALL USING INSTALLER PROVIDED ANCHORING HARDWARE ⑥.
- C- MOUNT TRAP ENCLOSURE ⑦ TO MOUNTING BRACKET ⑤ WITH PROVIDED FASTENERS ⑧.

MANUFACTURE DATE JANUARY 2021 TO PRESENT	DATE ISSUED 01/04/21	DRAWING NUMBER 9912-661-001
	DATE REVISED 10/27/21 A	

**DIMENSIONS SHOWN ARE FOR ADA ADULT HEIGHT.
ADJUST VERTICAL DIMENSIONS WITH (*) AS NECESSARY
FOR JUVENILE HEIGHTS PER FEDERAL, STATE, & LOCAL
CODES**

REFERENCE DRAWINGS:

DSW4120 & MD-DSW4120 9912-660-001



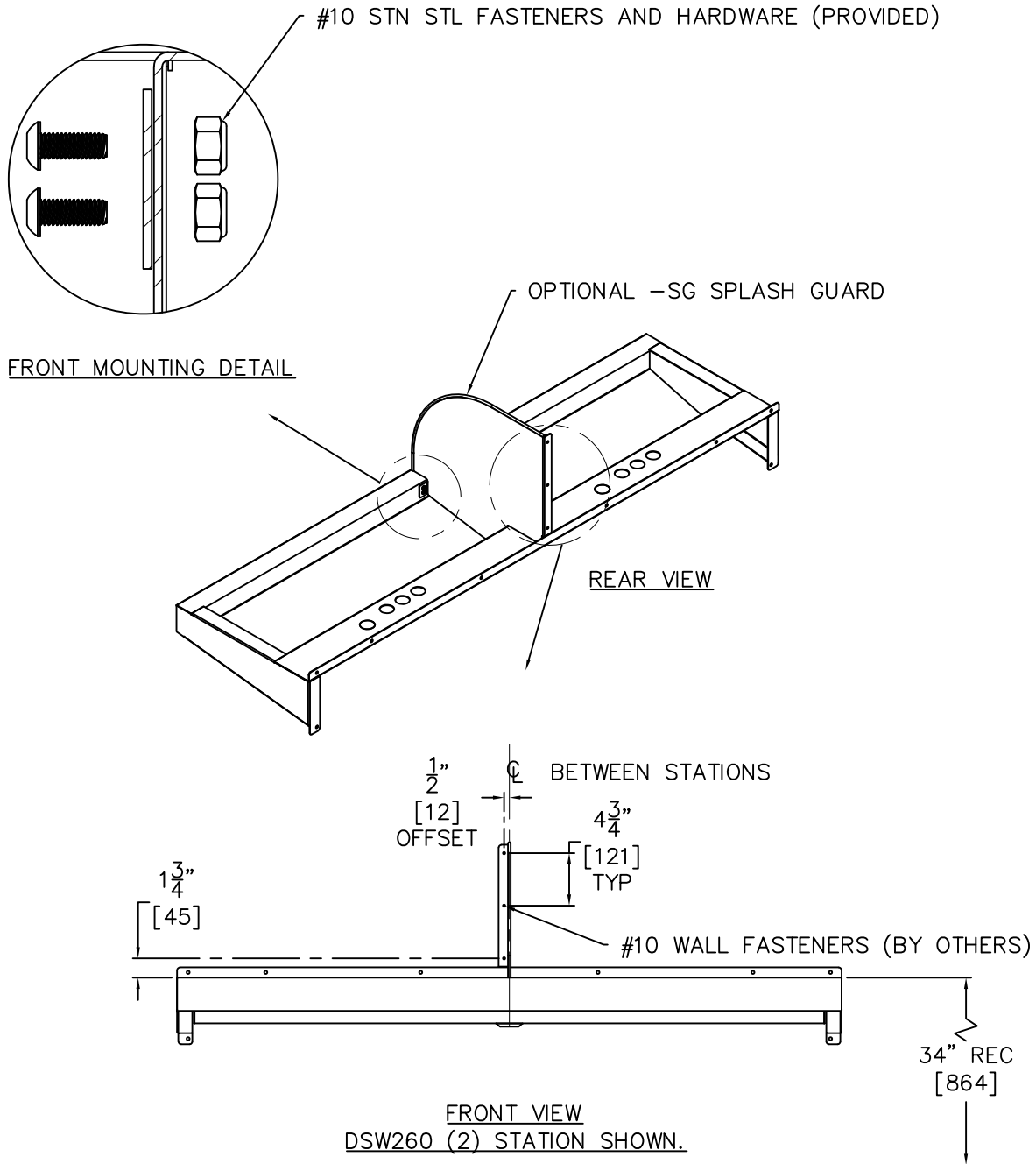
INSTALLATION INSTRUCTIONS

A- ROUGH-IN FOR THE FOLLOWING:

- SEE APPROPRIATE ROUGH-IN SHEET FOR ITEMS ①.
- 1/2" NPT HOT & COLD SUPPLY INLETS ②, FOR OPTIONAL FAUCET OR FAUCET BY OTHERS.
- 3/8" O.D. COLD SUPPLY INLETS ②A FOR OPTIONAL BOTTLE FILLER.
- 120VAC, 60 Hz, 3A (MAX.) GFCI PROTECTED, ELECTRICAL RECEPTACLE ③ FOR OPTIONAL SENSOR OPERATED FAUCET, BOTTLE FILLER AND SOAP DISPENSER.

ROUGH-IN FOR THE FOLLOWING CONTINUES:

- ⑧ WALL MOUNTING POINTS ④ IN CENTER MOUNTING BRACKET ⑤ AND ⑥ WALL MOUNTING POINTS ⑥ FOR MOUNTING BRACKETS ⑦ FOR INSTALLER PROVIDED 1/4" WALL ANCHORS AND ANCHORING HARDWARE ⑧.
- B- ANCHOR MOUNTING BRACKETS ⑤ AND ⑥ TO WALL USING INSTALLER PROVIDED ANCHORING HARDWARE ⑧.
- C- MOUNT TRAP ENCLOSURE ⑨ TO MOUNTING BRACKETS ⑤ AND ⑥ WITH PROVIDED FASTENERS ⑩.



NOTES:
OPTIONAL -SG SPLASH GUARD IS LOCATED ON CENTERLINE BETWEEN STATIONS. REFER TO APPLICABLE SUBMITTAL FOR DIMENSIONAL DATA AS REQUIRED FOR 2, 3 AND 4 PERSON UNITS.

<p>MORRIS GROUP INTL P.O. BOX 3527 Industry, CA 91744 MORRIS GROUP 15125 Proctor Ave Industry, CA 91746 INTERNATIONAL (626) 336-4561 FAX (626) 961-2200</p>	<p>TITLE -SG SPLASH GUARD OPTION DSW SERIES DELUXE TROUGH</p>		
	<p>MANUFACTURE DATE</p> <p>DECEMBER 2020</p> <p>TO PRESENT</p>	<p>DATE ISSUED</p> <p>01/19/22</p>	<p>DRAWING NUMBER</p> <p>9912-642-001</p>
		<p>DATE REVISED</p>	