



Wash-Ware® ELPS Series Ellipse™ Wall Mounted Hand Wash Basin



ELPS1-SW000-F60-PS1000-PS



ELPS2-SW000-F60-PS1000-PS

Patent Pending

Fixture May Show Some Available Accessories

Please visit www.acorneng.com for most current specifications.

Ellipse™ Wall Mounted Hand Wash Basin - ADA/OBC Compliant

Acorn's Stainless-Steel Wall Mounted Hand Wash Basin is designed to assist with public safety in areas where hand washing facilities is required. The cost-effective design saves on space and is ideal for use in public buildings of all types to expand the number of existing Hand Wash Stations. Unit conforms with ADA and OBC Guidelines for accessibility.

Basin is wall mounted and available in widths to accommodate one to two persons. Deck is pre-drilled at each station with (3) Ø 1-5/16" hole punching for a 4" Centerset Faucet which is optionally available. Deck includes a Ø 1-5/16" knockout for Soap Dispenser which is optionally available. A pre-drilled Backsplash return is provided for mounting unit to a reinforced wall. Basin is formed to facilitate drainage and is punched to accept a 1-1/2" Drain Assembly. The Basin is fabricated from 16 gauge, type 304 stainless steel and Trap Cover is fabricated from 16 gauge, type 304 stainless steel, both with exposed surfaces polished to a #4 satin finish.

Faucet selections are optionally available and include: Single Temp Battery Powered Sensor Operated Faucet with Stainless Steel "J" Spout and Deck Plate for 4" Centerset punching; Hot and Cold Gooseneck Spout with Wrist Blade Handles; Hot and Cold Sink Spout with Wrist Blade Handles; Single Temp Pushbutton Metering Spout and Deck Plate for 4" Centerset punching. Faucets are intended for 4" Centerset punching provided on Basin Deck. All Faucets meet NSF and Lead-Free Standards and include a 0.5 GPM (1.9 LPM) Flow Control.

Enviro-Glaze Powder Coated Color is optionally available to provide a functional alternative to stainless steel finish and is provided for Basin and Trap Cover.

Additional Available Options: a Daisy (Drain) Strainer with Tailpiece and a P-Trap Assembly made of Plastic or Chrome Plated Brass.

Units comply with Uniform Plumbing Code (UPC®), National Plumbing Code of Canada (cUPC®) and ASME A112.19.3.

Wash-Ware® ELPS Series: Ellipse™ Wall Mounted Hand Wash Basin



MODEL NUMBER AND OPTIONS SELECTION

BASE MODEL NUMBER

- ELPS1** Ellipse™ Hand Wash Basin, 1 User, 27-3/4" Wide
- ELPS2** Ellipse™ Hand Wash Basin, 2 User, 48" Wide

Faucets (Optional, Qty (1) provided for each station)

- SW000-F50 H&C Wristblade Faucet, Gooseneck Spout
- SW000-F51 H&C Wristblade Faucet, Spout
- SW000-F60 S/T Sensor Operated Faucet, J Spout, Plate
- SW000-F70 S/T Pushbutton Metering Faucet, Plate

Options

- EG Enviro-Glaze® Color Basin and Trap Cover
Specify Color: _____

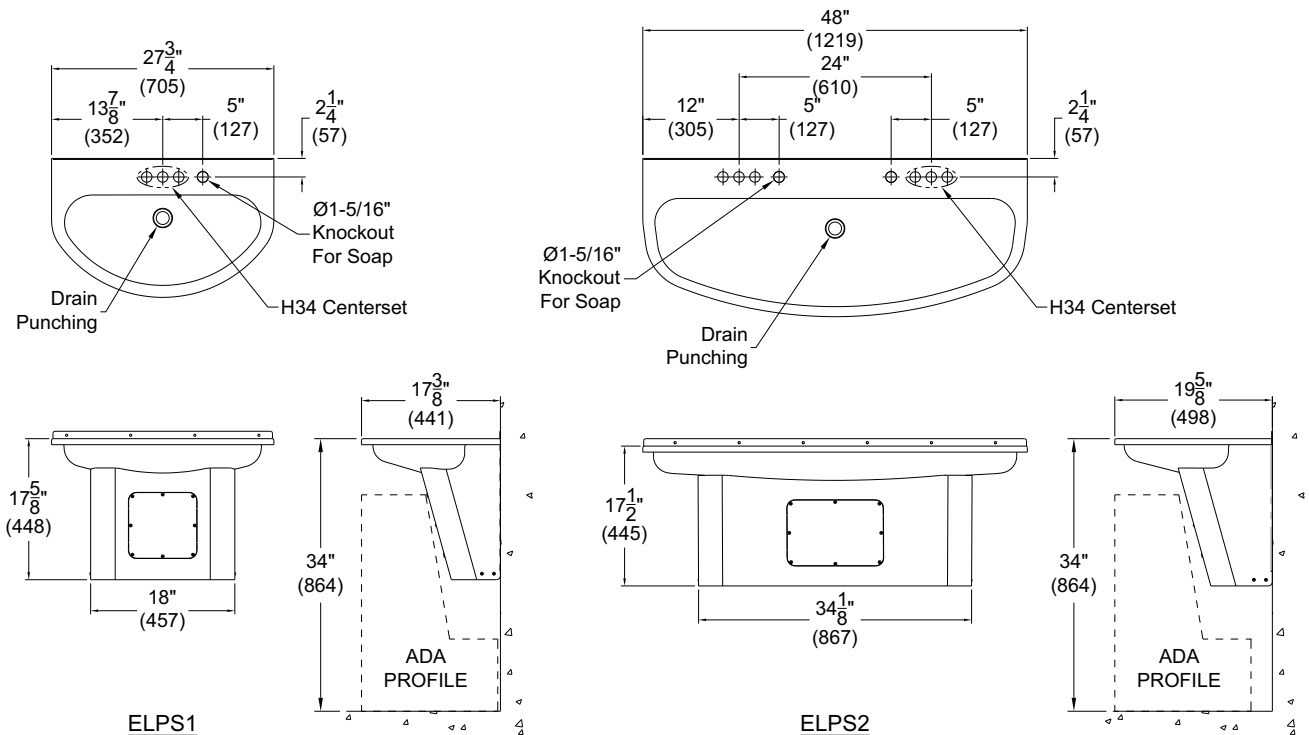
Soap Dispenser (Qty (1) provided for each station)

- PS1000-PS Pump Soap Dispenser
- PS1000-SSO Sensor Operated Soap Dispenser

Accessories

- ELPS-PT Strainer, Tailpiece, 1-1/2" P-Trap, Plastic
- ELPS-PTC Strainer, Tailpiece, 1-1/2" P-Trap, Chrome

Please visit www.acorneng.com for most current specifications.



WARNING: Cancer and Reproductive Harm - www.P65Warnings.ca.gov

<p>Important: Installation instructions and current rough-in are furnished with each fixture. Do not rough in without certified dimensions. <small>Dimensions are subject to manufacturer's tolerance of plus or minus 1/4" and change without notice. Acorn assumes no responsibility for use of void or superseded data. © Copyright 2007 Acorn Engineering Company</small></p>	
<p style="text-align: center;">Selection Summary</p> <p>Model No. & Option _____</p> <p>Quantity _____</p>	<p style="text-align: center;">Approved for Manufacturing</p> <p>Company _____ Title _____</p> <p>Signature _____ Date _____</p>