



Wash-Ware® Solid Surface ELSC Series
Solid Surface Ellipse™ Wall Mounted Hand Wash Basin



ELSC1-SW000-F60-OCC11M



ELSC2-SW000-F60-OCC11M

Patent Pending



Fixture May Show Some Available Accessories



Please visit www.acorneng.com for most current specifications.

Solid Surface Ellipse™ Wall Mounted Hand Wash Basin - ADA/OBC Compliant

Acorn's Solid Surface Wall Mounted Hand Wash Basin is designed to assist with public safety in areas where hand washing facilities is required. The cost-effective design saves on space and is ideal for use in public buildings of all types to expand the number of existing Hand Wash Stations. Unit conforms with ADA and OBC Guidelines for accessibility.

Basin is constructed of Corterra® solid surface polymer resin and is Greenguard Gold listed. Unit is wall mounted and available in widths to accommodate one to two persons. Standard color provided is OCC11M Blanco Matte (White). Optional color selections are available and must be specified. Deck is pre-drilled at each station with (3) Ø 1-5/16" hole 4" Centerset Faucet which is optionally available. Basin drainage is designed to accept an 1-1/2" Drain Assembly. The Trap Cover is fabricated from 16 gauge, type 304 stainless steel, both with exposed surfaces polished to a #4 satin finish.

Faucet selections are optionally available and include: Single Temp Battery Powered Sensor Operated Faucet with Stainless Steel "J" Spout and Deck Plate for 4" Centerset punching; Hot and Cold Gooseneck Spout with Wrist Blade Handles; Hot and Cold Sink Spout with Wrist Blade Handles; Single Temp Pushbutton Metering Spout and Deck Plate for 4" Centerset punching. Faucets are intended for 4" Centerset punching provided on Basin Deck. All Faucets meet NSF and Lead-Free Standards and include a 0.5 GPM (1.9 LPM) Flow Control.

Enviro-Glaze Powder Coated Color is optionally available to provide a functional alternative to stainless steel finish and is provided for Trap Cover.

Additional Available Options: a Daisy (Drain) Strainer with Tailpiece and a P-Trap Assembly made of Plastic or Chrome Plated Brass.

Units comply with Uniform Plumbing Code (UPC®), National Plumbing Code of Canada (cUPC®) and ASME A112.19.3.

Wash-Ware® ELSC Series: Ellipse™ Wall Mounted Hand Wash Basin



MODEL NUMBER AND OPTIONS SELECTION

BASE MODEL NUMBER

- ELSC1** Ellipse™ Hand Wash Basin, 1 User, 28-3/4" Wide
- ELSC2** Ellipse™ Hand Wash Basin, 2 User, 52" Wide

CORTERRA® COLOR OPTIONS (Must Specify)

(OCC11M Blanco Matte (White) Provided Standard)

Color: _____

(Refer to <https://www.acorneng.com/corterra-solid-surface> for available colors)

Faucets (Optional, Qty (1) provided for each station)

- SW000-F50 H&C Wristblade Faucet, Gooseneck Spout
- SW000-F51 H&C Wristblade Faucet, Spout
- SW000-F60 S/T Sensor Operated Faucet, J Spout, Plate
- SW000-F70 S/T Pushbutton Metering Faucet, Plate

Options

- BKS Backsplash (Shipped Loose)
- EG Enviro-Glaze® Color Trap Cover
Specify Color: _____

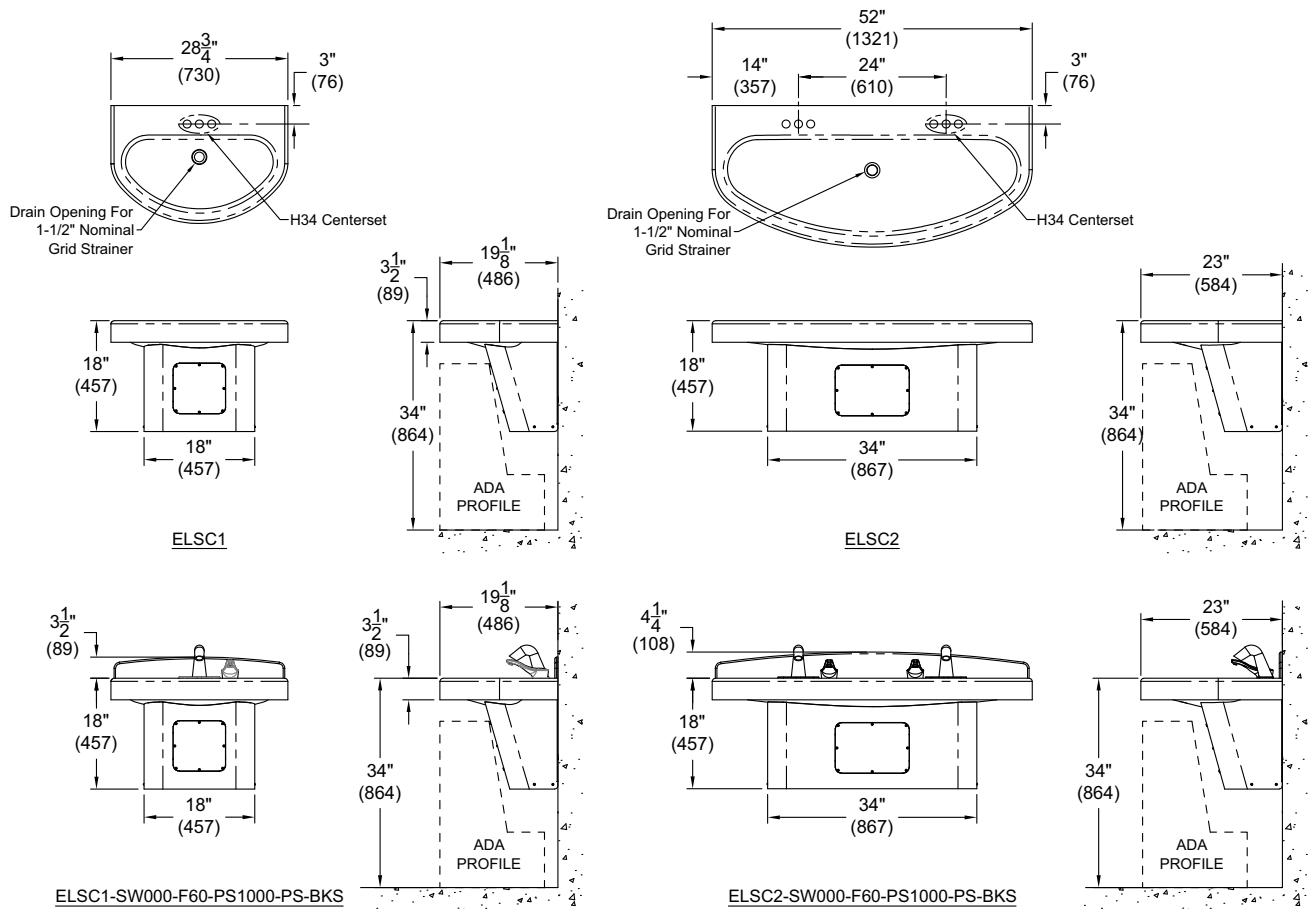
Soap Dispenser (Qty (1) provided for each station)

- PS1000-PS Pump Soap Dispenser
- PS1000-SSO Sensor Operated Soap Dispenser

Accessories

- SW000-PT Daisy Strainer, Tailpiece, 1-1/2" P-Trap, Plastic
- SW000-PTC Daisy Strainer, Tailpiece, 1-1/2" P-Trap, Chrome

Please visit www.acorneng.com for most current specifications.



WARNING: Cancer and Reproductive Harm - www.P65Warnings.ca.gov

<p>Important: Installation instructions and current rough-in are furnished with each fixture. Do not rough in without certified dimensions. Dimensions are subject to manufacturer's tolerance of plus or minus 1/4" and change without notice. Acorn assumes no responsibility for use of void or superseded data. © Copyright 2007 Acorn Engineering Company</p>	
<p style="text-align: center;">Selection Summary</p> <p>Model No. & Option _____</p> <p>Quantity _____</p>	<p style="text-align: center;">Approved for Manufacturing</p> <p>Company _____ Title _____</p> <p>Signature _____ Date _____</p>