



Portable Wash-Ware® EPS1000 Series

Economy Portable Hand-Wash Station
Comes Ready To Assemble



EPS1015 - PS1000-F40



EPS1010 - EPS1000-BS1 - PS1000-F11
(Self Contained)

Fixture May Show Some Available Accessories

Please visit www.acorneng.com for most current specifications.

Economy Portable Hand-Wash Station

Acorn's Economy Portable Hand-Wash Station instantly provides hand washing capability and is ideal for use in Emergency Triage Facilities, remote locations, and the entrance to public buildings and restaurants of all types. Water source may be self contained using the Fresh Water Storage Tank or from a plumbed water supply connection such as a Hose Valve. Certain units may also be configured for use in outdoor applications.

Self Contained Model EPS1010, allows for hand washing in the absence of a plumbed water supply source or waste outlet. Water to the Gooseneck Spout is provided with a 6.5-Gallon Fresh Water Storage Tank. Flow from the Tank to the Spout is created with a Manually Operated Foot Pump. A 6.5-Gallon Wastewater Tank is also provided.

Water Supply Models EPS1015, EPS1020 rely on an existing plumbed, potable water source such as a Hose Valve connection, and use either a 5-Gallon Wastewater Storage Tank or a Hose for Wastewater removal.

Stationary Sink Model EPS1000 is an economical unit to utilize existing plumbed water supply and wall waste connections. This model is recommended for use with Accessory item SW000-PT (P-trap Waste).

Electric Water Heater Model EPS1041, provides user with Tempered Water using an existing cold water source. A UL listed Mini Tank Water Heater provides Hot Water to a Thermostatic Mixing Valve to deliver tempered supply. The Mixing Valve is ASSE 1069/1070 Certified for scald protection. The Mini Tank meets Lead-Free Standards and conveniently plugs into a 110-120VAC, 15 Amp receptacle.

Wastewater removal from the Wash Station for all units is based on the site conditions and is accomplished using either a removable Wastewater Tank, Waste Hose with 3/4" Female Hose Threaded outlet, or an optional P-trap Waste fitting.

Fresh Water Tanks and Wastewater Tanks are optionally available for additional storage to reduce filling or dumping.

Faucet with Gooseneck Spout options include a Battery Operated Sensor, Wrist Blade Handle, Lever Handle control. A Spout (only) may be specified with the Manually Operated Foot Pump (Model EPS1010). Faucets are Single Temperature Supply, meet NSF and Lead-Free Standards and include a 0.5 GPM (1.9 LPM) Flow Control.

Countertop includes a no drip edge to enable drainage around the rim of the integral Trapezoidal Lavatory Bowl. Bowl measures 17-1/2" x 11-3/4" x 5-1/2" deep. Top is fabricated from type 304 stainless steel and polished to a #4 satin finish. A removable grid strainer drain is provided as standard.

Cabinet is fabricated of type 304 stainless steel with exposed surfaces polished to a #4 satin finish. Access to plumbing and storage components is through the open rear of cabinet or removable front access panel. Cabinet rim height is available in a -JH Junior Height option (27-1/2" with Foot or 31" with Casters). The standard cabinet assembly is provided with a set of square rubber feet and is optionally available with 3" Dia Casters which include Brake Locks for portability.

Portable Hand-Wash Unit ships unassembled allowing for easy transport to site and comes ready to assemble.

Optional Backsplash increases the overall utility of the unit and acts as Splashguard to protect rear wall. Backsplash is bolted to the back of lavatory and is available with Paper Towel Holder and Soap Dispenser Holder.

Portable Wash-Ware® EPS1000 Series: Economy Portable Hand-Wash Station



MODEL NUMBER AND OPTIONS SELECTION

BASE MODEL NUMBER (Faucet Not Included) Self Contained Model

- EPS1010** Economy Foot Pump Operated, Fresh Water Tank, Wastewater Tank (Includes Casters)

Water Supply Required Models

- EPS1000** Economy "Stationary Sink," Water Supply, Wall Waste (SW000-PT Recommended)
- EPS1015** Economy Hose Supply, Hose Waste
- EPS1020** Economy Hose Supply, Wastewater Tank
- EPS1041** Economy Hose Supply, Water Heater, Hose Waste

Faucet / Spout Selection (Optional)

- PS1000-F11 Gooseneck (Only), For Use With EPS1010
- PS1000-F31 Gooseneck, Sensor Op, Battery Power
- PS1000-F40 Gooseneck, Single Handle
- PS1000-F41 Economy Gooseneck, Single Handle

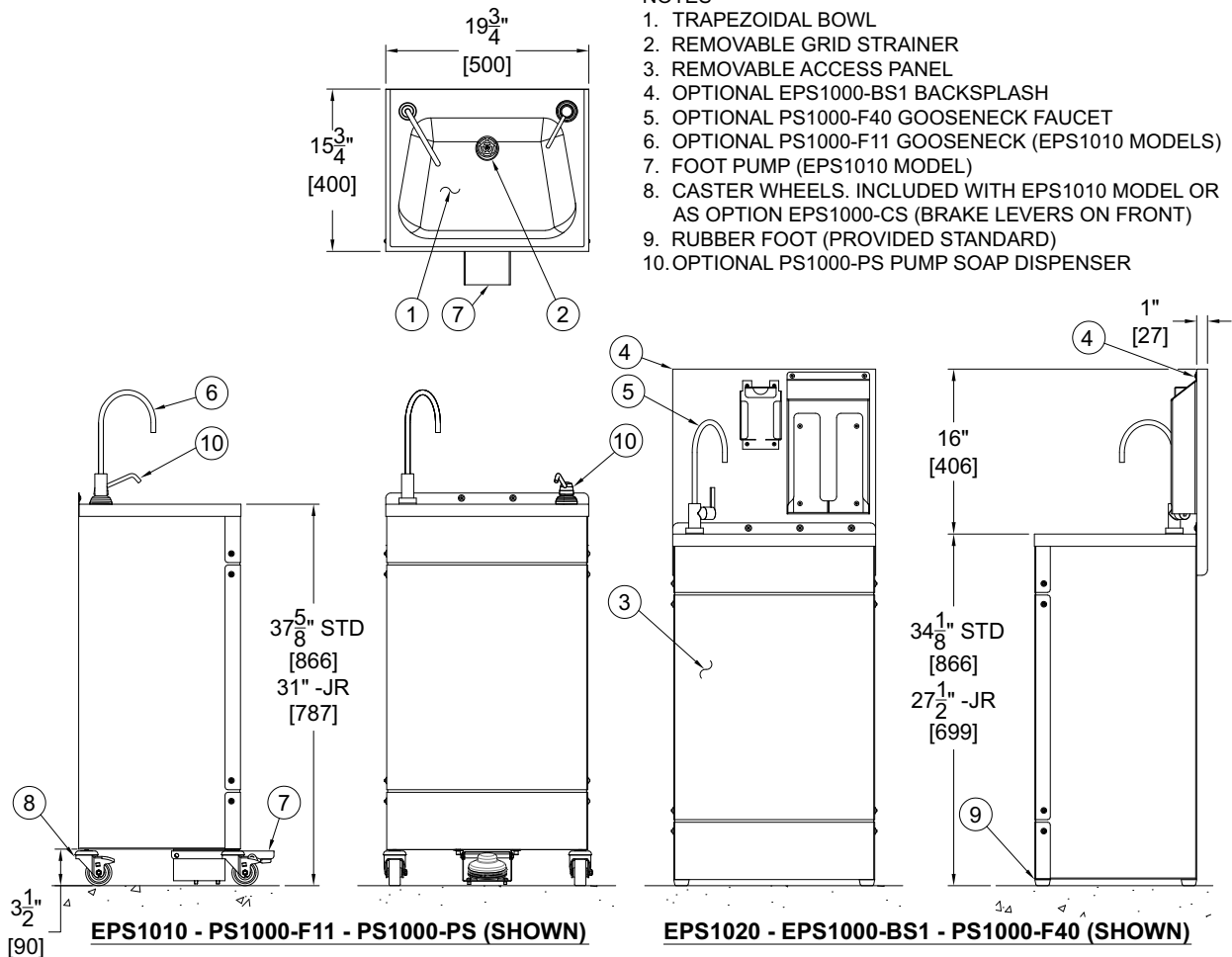
Options and Accessories

- JR Junior Rim Height (27-1/2" or 31") (Depending on Model and Options)
- EPS1000-BS Backsplash (Only)
- EPS1000-BS1 Backsplash with (2) Bay Paper Holder and Soap Bottle Holder (Not available with PS1000-PS Soap Dispenser)
- EPS1000-BS2 Backsplash with (2) Bay Paper Holder (Recommended with PS1000-PS Soap)
- EPS1000-CS (4) 3" Dia. Swivel Casters, Brake Locks
- PS1000-PS Pump Soap Dispenser (Deck Mounted) (Not available with -JR Option)
- EPS1000-5GW 5 Gallon Wastewater Tank (EPS1020)
- EPS1000-6.5F 6.5 Gallon Fresh Water Tank (EPS1010)
- EPS1000-6.5W 6.5 Gallon Wastewater Tank (EPS1010)
- SW000-PT Daisy Strainer with Tailpiece and 1-1/2" P-Trap, Plastic
- WH-DECAL 10" Sticky Decal "Wash Your Hands"

Please visit www.acorneng.com for most current specifications.

NOTES

1. TRAPEZOIDAL BOWL
2. REMOVABLE GRID STRAINER
3. REMOVABLE ACCESS PANEL
4. OPTIONAL EPS1000-BS1 BACKSPLASH
5. OPTIONAL PS1000-F40 GOOSENECK FAUCET
6. OPTIONAL PS1000-F11 GOOSENECK (EPS1010 MODELS)
7. FOOT PUMP (EPS1010 MODEL)
8. CASTER WHEELS. INCLUDED WITH EPS1010 MODEL OR AS OPTION EPS1000-CS (BRAKE LEVERS ON FRONT)
9. RUBBER FOOT (PROVIDED STANDARD)
10. OPTIONAL PS1000-PS PUMP SOAP DISPENSER



WARNING: Cancer and Reproductive Harm - www.P65Warnings.ca.gov

<p>Important: Installation instructions and current rough-in are furnished with each fixture. Do not rough in without certified dimensions. Dimensions are subject to manufacturer's tolerance of plus or minus 1/4" and change without notice. Acorn assumes no responsibility for use of void or superseded data. © Copyright 2007 Acorn Engineering Company</p>	
<p style="text-align: center;">Selection Summary</p> <p>Model No. & Option _____</p> <p>Quantity _____</p>	<p style="text-align: center;">Approved for Manufacturing</p> <p>Company _____ Title _____</p> <p>Signature _____ Date _____</p>