



Portable Wash-Ware® EPS1100 Series

Economy Portable Hand-Wash Station Foot Pedal Series
Comes Ready To Assemble



EPS1115 - PS1000-F11

Fixture May Show Some Available Accessories

Please visit www.acorneng.com for most current specifications.

Economy Portable Hand-Wash Station with Foot Pedal

Acorn's Economy Portable Hand-Wash Station with Foot Pedal activation instantly provides hand washing capability and is ideal for use in Emergency Triage Facilities, remote locations, and the entrance to public buildings and restaurants of all types. Water source may be self contained using the Fresh Water Storage Tank or from a plumbed water supply connection such as a Hose Valve. Certain units may also be configured for use in outdoor applications.

EPS1100 Foot Pedal Series Models provide Hands Free use without the need for electrical power or battery replacement. Units require a plumbed fresh water supply source. Foot Pedal activates a Single Temperature Valve assembly and allows the user on and off control of the water flow. Units include Casters for easy portability.

Models EPS1115, EPS1120 rely on an existing plumbed, potable water source such as a Hose Valve connection with 30 PSI minimum pressure, and use either a 5-Gallon Wastewater Storage Tank or a Hose for wastewater removal.

Electric Water Heater Model EPS1141, provides user with Tempered Water using an existing fresh water source. A UL listed Mini Tank Water Heater provides Hot Water to a Thermostatic Mixing Valve to deliver tempered supply. The Mixing Valve is ASSE 1069/1070 Certified for scald protection. The Mini Tank meets Lead-Free Standards and conveniently plugs into a 110-120VAC, 15 Amp receptacle.

Optional Gooseneck Spout provides a Spout (only) for hands free use with the manually operated Foot Pedal and single temperature valve assembly. Spout meets NSF and Lead-Free Standards and include a 0.5 GPM (1.9 LPM) Flow Control.

Wastewater removal from the Wash Station for all units is based on the site conditions and is accomplished using either a removable Wastewater Tank, Waste Hose with 3/4" Female Hose Threaded outlet, or an optional P-trap Waste fitting.

Wastewater Tanks are optionally available for additional storage to reduce dumping.

Countertop includes a no drip edge to enable drainage around the rim of the integral Trapezoidal Lavatory Bowl. Bowl measures 17-1/2" x 11-3/4" x 5-1/2" deep. Top is fabricated from type 304 stainless steel and polished to a #4 satin finish. A removable grid strainer drain is provided as standard.

Cabinet is fabricated of type 304 stainless steel with exposed surfaces polished to a #4 satin finish. Access to plumbing and storage components is through the open rear of cabinet or removable front access panel. The standard cabinet assembly is provided with a set of 3" Dia Casters which include Brake Locks for portability. Cabinet rim height is available in a lower -JH Junior Height option.

Portable Hand-Wash Unit ships unassembled allowing for easy transport to site and comes ready to assemble.

Optional Backsplash increases the overall utility of the unit and acts as Splashguard to protect rear wall. Backsplash is bolted to the back of lavatory and is available with Paper Towel Holder and Soap Dispenser Holder.

Portable Wash-Ware® EPS1100 Series: Economy Portable Hand-Wash Station



MODEL NUMBER AND OPTIONS SELECTION

BASE MODEL NUMBER (Faucet Not Included) Water Supply Required Models

- EPS1115** Economy Hose Supply, Hose Waste, Foot Pedal Actuation
- EPS1120** Economy Hose Supply, Wastewater Tank, Foot Pedal Actuation
- EPS1141** Economy Hose Supply, Water Heater, Hose Waste, Foot Pedal Actuation

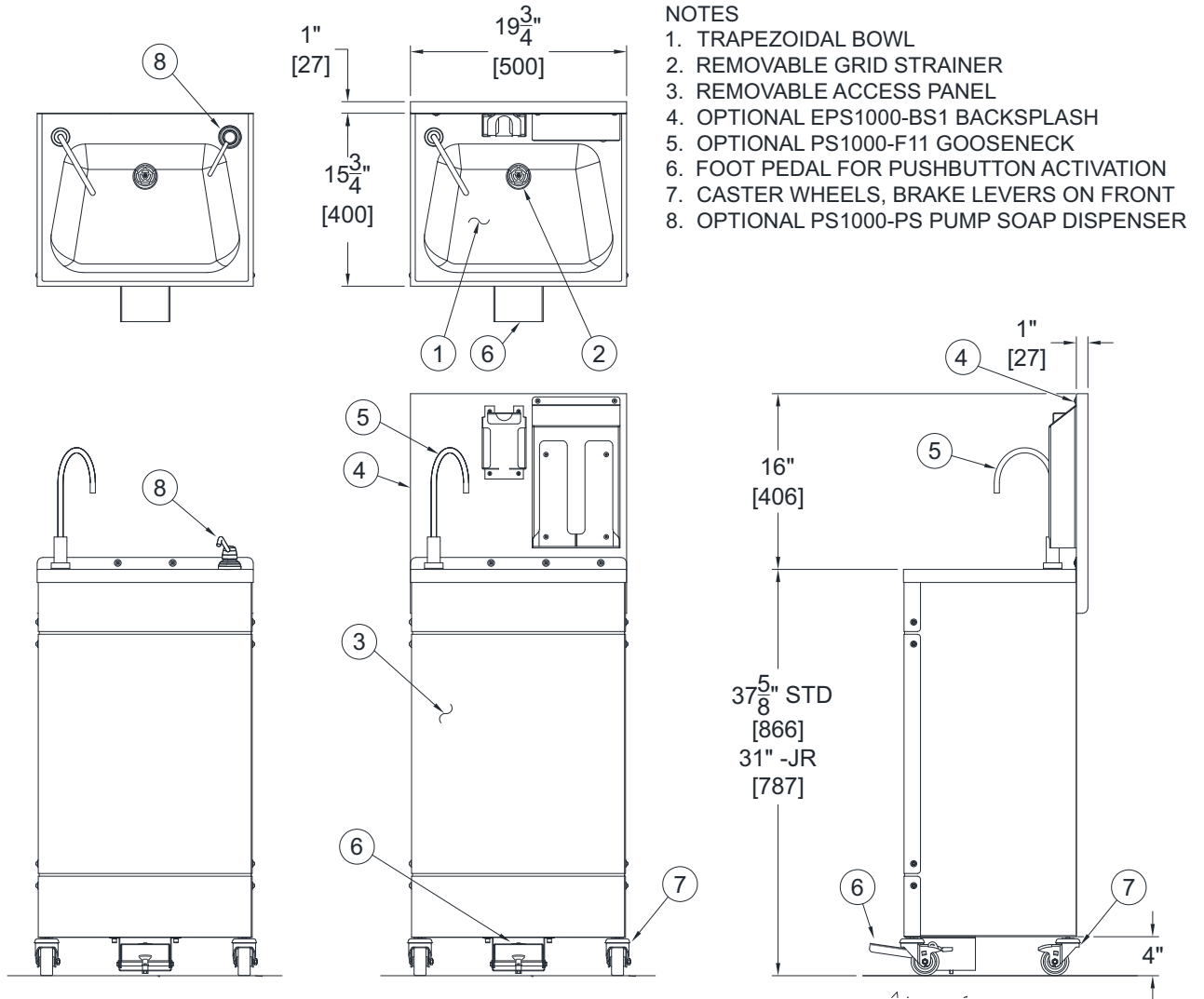
Spout Selection (Optional)

- PS1000-F11 Gooseneck Spout (Only)

Options and Accessories

- JR Junior Rim Height (31")
- EPS1000-BS Backsplash (Only)
- EPS1000-BS1 Backsplash with (2) Bay Paper Holder and Soap Bottle Holder (Not available with PS1000-PS Soap Dispenser)
- EPS1000-BS2 Backsplash with (2) Bay Paper Holder (Recommended with PS1000-PS Soap)
- PS1000-PS Pump Soap Dispenser (Deck Mounted) (Not available with -JR Option)
- EPS1000-5GW 5-Gallon Wastewater Tank (EPS1120)
- SW000-PT Daisy Strainer with Tailpiece and 1-1/2" P-Trap, Plastic
- WH-DECAL 10" Sticky Decal "Wash Your Hands"

Please visit www.acorneng.com for most current specifications.



EPS1115 - PS1000-PS (SHOWN)

EPS1115 - PS1000-F11 (SHOWN)

WARNING: Cancer and Reproductive Harm - www.P65Warnings.ca.gov

<p>Important: Installation instructions and current rough-in are furnished with each fixture. Do not rough in without certified dimensions. Dimensions are subject to manufacturer's tolerance of plus or minus 1/4" and change without notice. Acorn assumes no responsibility for use of void or superseded data. © Copyright 2007 Acorn Engineering Company</p>	
<p style="text-align: center;">Selection Summary</p> <p>Model No. & Option _____</p> <p>Quantity _____</p>	<p style="text-align: center;">Approved for Manufacturing</p> <p>Company _____ Title _____</p> <p>Signature _____ Date _____</p>