



Secur-Care® - Ligature Resistant LR1440 Series 18" Lav/Toilet - Ligature Resistant Comby with Lavatory D-Shaped Bowl



LR1440-2-CT-04-FV

Fixture May Show Some Available Options



Please visit www.acorneng.com for most current specifications.

18" Lav/Toilet - Ligature Resistant Comby with Lavatory D-Shaped Bowl

Fixture is arranged to be installed on finished wall and serviced from an accessible pipe chase. Fixture is fabricated from 14 gage type 304 stainless steel cabinet and toilet bowl, polished to a satin finish. The inside of the toilet bowl also has a satin finish. Cabinet interior is sound-deadened with fire-resistant material. Optional Wall Sleeve or Metal Template is recommended for all installations to provide required wall openings. Engineered to reduce possible risk of the fixture being used as a ligature device.

Lavatory "D" Bowl is 15" x 13" x 5-1/2" deep. Standard elbow waste outlet is 1-1/2" O.D. plain end.

Optional Valve is an optionally available Air-Control pneumatically operated, hemispherical pushbutton valve using atmospheric air. Pushbutton requires less than 5 pounds to activate valve. Valve is direct acting, non-metering type and is optionally available as metering with non-hold open feature. Metering valve timing is adjustable from 5 to 60 seconds. Valve can be remotely located up to 10 feet from the operating pushbutton. Bubbler and valve pushbuttons are spherical type. Valve and bubbler conform with lead-free requirements for NSF61, section 9 and CHSC 116875.

Toilet is blowout jet type with ligature resistant elongated bowl manufactured to ASME A112.19.3 and CSA B45.4 requirements and will flush with a minimum of 25 PSI flow pressure when used in conjunction with a minimum of 1.28 GPF. Trap has minimum 3-1/2" seal and will pass a 2-1/8" ball. Toilet waste outlet is 2-3/8" diameter plain end extending 3" beyond the fixture for wall outlet and Gasketed Waste for floor outlet.

Regularly Furnished items include wall mounting hardware.

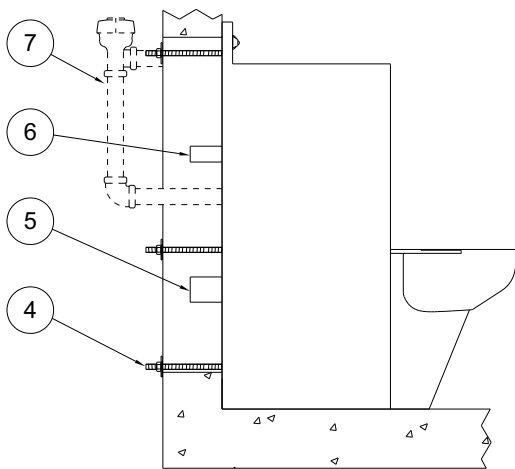
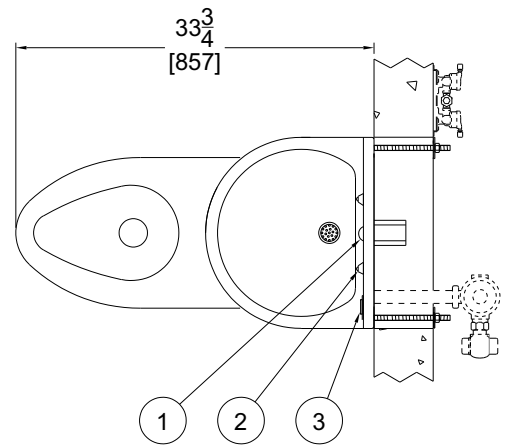
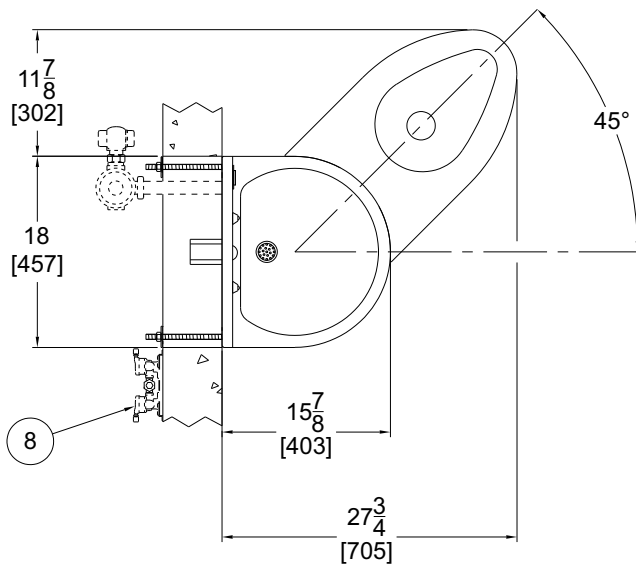
GUIDE SPECIFICATION

Provide and install Secur-Care® - Ligature Resistant 18" wide Lav/Toilet Comby (Specify model number and options). Provide hemispherical cabinet design to reduce risk of fixture being used as a ligature device. Fixture shall be fabricated from type 304 stainless steel. Construction shall be seamless welded and exposed surfaces shall have a satin finish. Provide D shaped lavatory bowl. Fixture shall have an Air-Control pneumatically operated, pushbutton valve. Valve shall require less than 5 pounds to activate. Valve and bubbler conform with lead-free requirements for NSF61, section 9 and CHSC 116875. Provide Hemispherical Penal Bubbler and Hemispherical Penal Pushbutton. Provide toilet bowl housing to prohibit the attachment of objects. Toilet shall be concealed blowout jet type with an elongated bowl, self-draining flushing rim, and an integral contoured seat. Toilet shall meet ASME A112.19.3 and CSA B45.4 requirements and will flush with a minimum of 25 PSI flow pressure when used in conjunction with a minimum of 1.28 GPF. Toilet trap shall have a minimum 3-1/2" seal that shall pass a 2-1/8" diameter ball and shall be fully enclosed. Cabinet interior shall be sound-deadened with fire-resistant material. Fixture shall withstand loading of 5,000 pounds without permanent damage. Fixture shall be furnished with necessary fasteners for proper installation.

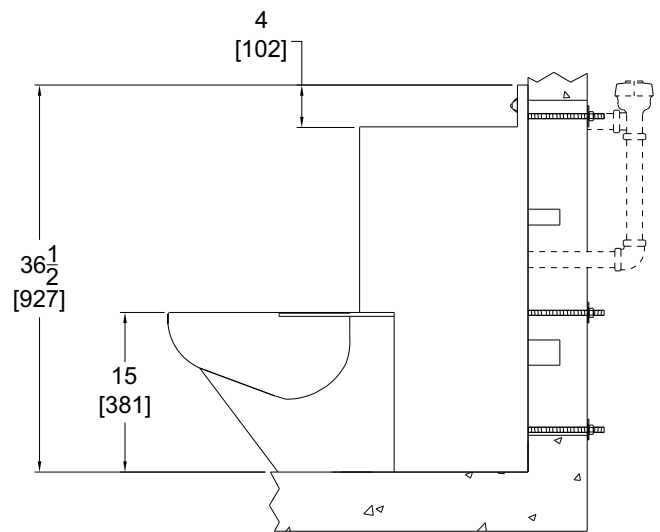
Secur-Care® - Ligature Resistance LR1440:
 18" Lav/Toilet - Ligature Resistant Comby with Lavatory D-Shaped Bowl



- NOTES:
1. HEMISPHERICAL LAVY BUBBLER
 2. HEMISPHERICAL LAVY VALVE PUSHBUTTONS
 3. FLUSH VALVE PUSHBUTTON
 4. WALL MOUNTING HARDWARE
 5. TOILET WASTE OUTLET
 6. LAVY WASTE OUTLET
 7. OPTIONAL -FV FLUSH VALVE SHOWN
 8. -04 AIR-CONTROL VALVE



1440-AR-2-BPH-04 Shown. -AL Opposite.



1440-CT-2-BPH-04

Secur-Care® - Ligature Resistance LR1440:

18" Lav/Toilet - Ligature Resistant Comby with Lavatory D-Shaped Bowl



WALL THICKNESS AND TYPE (Must Specify)

Thickness: _____ Type: Concrete Block Steel

MODEL AND OPTIONS SELECTION:

BASE MODEL NUMBER

LR1440 18" Lav-Toilet - Suicide Resistant Comby

TOILET ORIENTATION (Must Specify)

- AL Angled Left
- AR Angled Right
- CT Centered Toilet

FIXTURE MOUNTING AND WASTE (Must Specify)

- 2 On-Floor, Wall Outlet
- 3 On-Floor, Floor Outlet

VALVE SELECTION (Must Specify)

Air-Trol (Pneumatic)

- 03 Single Temp, Non-Metering
- 03-M Single Temp, Metering
- 04 Hot & Cold, Non-Metering
- 04-M Hot & Cold, Metering
- 04-MH Hot & Cold, Metering Hot Side Only

Master-Trol (Electronic)

- EVS1 Single Temp
- EVS2 Hot & Cold
- EVSP1 Single Temp, Piezo Button
- EVSP2 Hot & Cold, Piezo Buttons

Master-Trol PLUS (Electronic)

- MTP1 Single Temp
- MTP2 Hot & Cold
- MTPP1 Single Temp, Piezo Button
- MTPP2 Hot & Cold, Piezo Buttons

-MTP VALVE OPTION

- PFB Power Failure Bypass
(Provides emergency drinking water in the event of power failure)

Time-Trol (Electronic)

- MVC1 Single Temp
- MVC1-BAT Single Temp Battery Powered
(Batteries Not Included)
- MVC2 Hot & Cold
- MVC2-BAT Hot & Cold Battery Powered
(Batteries Not Included)

Programmable (Electronic) w/9VDC Plug-In Transformer

- PPZ1 Single Temp Programmable Piezo Button
- PPZ2 Hot & Cold Programmable Piezo Button

Valve By Others

N/A

VALVE OPTIONS

- BRS Brass Body Valve
- CI Cycle Interrupt for Time-Trol Valves
- MA2 Manifolder, 2-Stack
- MA3 Manifolder, 3-Stack
- MA4 Manifolder, 4-Stack
- PBP Pushrod Activated Pushbutton
- TF Transformer, 120VAC to 24VAC (-MVC option only)

FLUSH VALVE GPF's (Must Specify)

- 1.28 GPF
- 1.6 GPF (Not available for sale/use in the State of California)

FLUSH VALVE OPTIONS (Must Specify)

- EVSFV Master-Trol Electronic Flush Valve
- EVSPFV Master-Trol Electronic Flush Valve w/ Piezo Button
- FV Flush Valve, Mechanical
- FVBO Flush Valve by Others
- FVH Flush Valve, Hydraulic
- MTPFV Master-Trol PLUS Electronic Flush Valve
- MTPPFV Master-Trol PLUS Electronic Flush Valve w/ Piezo Button
- MVCFV Time-Trol Electronic Flush Valve

CABINET OPTIONS

- FMT Fixture Mounted Trim
- PHL Paper Holder Left (For -AR or -CT Comby)
- PHR Paper Holder Right (For -AL or -CT Comby)
- TG 12 Gage Cabinet
- THL Towel Hook Left
- THR Towel Hook Right

LAVATORY WASTE OPTIONS

- CW Combined Waste*
*NOTE: Reduces Ligature Resistance due to Lavy Waste Drain Hole located within Toilet Bowl.
- LW1 Lavy Thru-Wall Extension with P-Trap
- LWE Lavy Waste Extension (3" Standard)
Specify Length Beyond Fixture: _____
- PT 1-1/2" Removable P-Trap Waste

TOILET OPTIONS

- CO1 Cleanout w/ 2-3/8" OD O-Ring Connection to No-Hub 4" (Plain End Only, Not Applicable with GW or -3 Floor Outlet)
- CO1-3 Cleanout w/ 2-3/8" OD O-Ring Connection to No-Hub 3" (Plain End Only, Not Applicable with -GW or -3 Floor Outlet)
- COH Cleanout Hook Assembly
- FT Flood-Trol (Manual Reset)**
- FTA Flood-Trol, Auto-Reset**
- FTE Flood-Trol, Electronic**
**NOTE: Reduces Ligature Resistance due to Toilet Bowl Sensor Fitting.
- FVO Flush Valve Opposite In Lieu of Standard Location
- FVT Flush Valve Thru Wall Connector
- GW Gasketed Toilet Waste (Wall Outlet)
- HPS High Polish Seat
- PC Pinned Cleanout Plug (For -CO1 Options above)
- TSC Toilet Shipping Cover
- TWE Toilet Waste Extension (3" Standard)
Specify Length Beyond Fixture: _____
- WO3B 2-3/8" P-Trap w/ 3" Plain End Waste Outlet

PRODUCT OPTIONS

- EGE Enviro-Glaze Color Specify: _____
Toilet Exterior Only
- LPPFV Less Punching for Flush Valve
- MT Metal Template (Only 1 Required Per Project)
- SW Wall Sleeve
- VAC AcornVac System

Please visit www.acorneng.com for most current specifications.

WARNING: Cancer and Reproductive Harm - www.P65Warnings.ca.gov

Important: Installation instructions and current rough-in are furnished with each fixture. Do not rough in without certified dimensions. <small>Dimensions are subject to manufacturer's tolerance of plus or minus 1/4" and change without notice. Acorn assumes no responsibility for use of void or superseded data. © Copyright 2009 Acorn Engineering Company</small>	
<p style="text-align: center;">Selection Summary</p> <p>Model No. & Option _____</p> <p>Quantity _____</p>	<p style="text-align: center;">Approved for Manufacturing</p> <p>Company _____ Title _____</p> <p>Signature _____ Date _____</p>