



**Secur-Care® - Ligature Resistant LR1449 Series**  
 ADA 2010 Compliant - Lav/Toilet Ligature Resistant Comby - Offset Toilet Bowl



Federal  
Public Law  
111-380  
(No Lead)



LR1449-RO-2-04-DMB

Fixture May Show Some Available Options



Please visit [www.acorneng.com](http://www.acorneng.com) for most current specifications.

**ADA 2010 Compliant - Lav/Toilet Ligature Resistant Comby - Offset Toilet Bowl**

**IMPORTANT:** For Compliance with CBC Calif. Title 24 refer to 1452 and LR1452 series.

**Fixture** is arranged to be installed on finished wall and serviced from an accessible pipe chase. Fixture is seamless welded construction and polished to a satin finish. Fixture cabinet and toilet is fabricated of 14 gage, type 304 stainless steel and polished to a satin finish. The inside of the toilet bowl also has a satin finish. Cabinet interior is sound deadened with fire-resistant material. Access panel is provided to service lavy valve pushbuttons. Optional Wall Sleeve or Metal Template is recommended for all installations to provide required wall openings. Engineered to reduce possible risk of the fixture being used as a ligature device. Unit complies with the accessibility requirements of ANSI, UFAS, ADA, and OBC regarding toilet and lavatory fixtures. Compliance is subject to the interpretation and requirements of the local code authority. (**NOTE:** Not compliant for CBC Calif. Title 24 Accessibility requirements.)

**Lavatory 'D' Bowl** is 15-1/4" x 12-1/2" x 4" deep. Standard P-trap waste outlet is 1-1/2" O.D. plain end.

**Optional Valve** may be an Air-Control pneumatically operated, hemispherical pushbutton valve with 0.70 GPM flow control for the Hemispherical bubbler spout. Pushbutton requires less than 5 lbs. to activate valve. Valve is metering, non-hold open type. Timing is adjustable from 5 to 60 seconds. Valve can be remotely located up to 10 feet from the operating pushbutton. Valve and bubbler conform with the requirements of NSF61, section 9 and is IAPMO R&T certified to meet the lead free requirements of Section 1417 of the Federal Safe Drinking Water Act and Section 116875 of the California Health and Safety Code.

**Toilet** is blowout jet type with ligature resistant elongated bowl manufactured to ASME A112.19.3 and CSA B45.4 requirements and will flush with a minimum of 25 PSI flow pressure when used in conjunction with a minimum of 1.6 GPF. Trap has a minimum 3-1/2" seal and will pass a 2-1/8" ball. Toilet waste outlet is 2-3/8" diameter plain end extending 3" beyond the back of fixture for wall outlet and Gasket Waste for floor outlet.

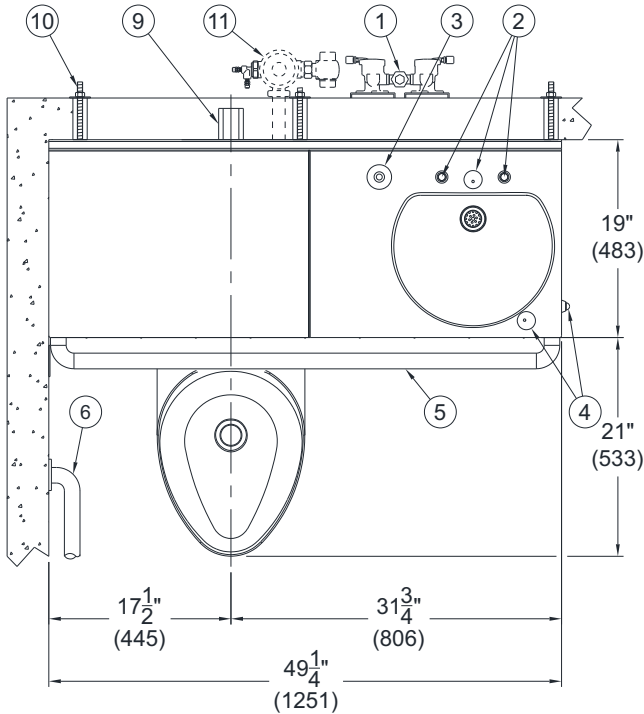
**Grab Bar** is heavy gage type 304 stainless steel construction, 1-1/2" diameter, extends the width of the fixture and measures 47-3/8" long from center to center. Grab bar is positioned behind toilet and is integral to the cabinet. Also includes ADA Compliant closure plate to reduce ligature points. Important: Optional Grab Bar Closure Plate may affect ADA Conformance.

**GUIDE SPECIFICATION**

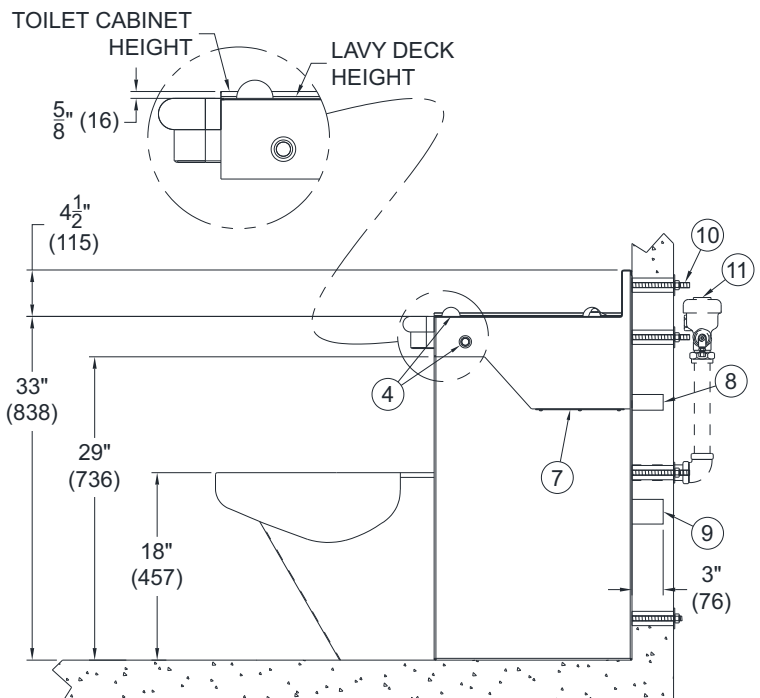
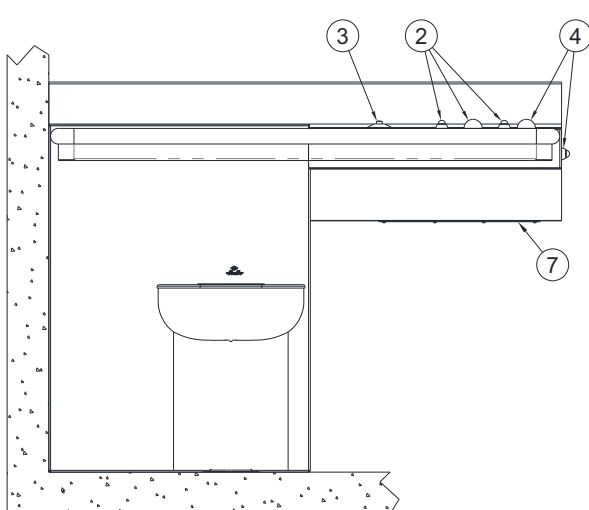
Provide and install Secur-Care® - Ligature Resistant ADA 2010 Compliant Lav/Toilet-Comby-Offset Toilet Bowl (specify model number and options). Fixture shall be fabricated from type 304 stainless steel. Construction shall be seamless welded and exposed surfaces shall have a satin finish. Provide a stainless steel grab bar to be located behind toilet. Fixture shall have an Air-Control pneumatically operated, metering, non-hold open pushbutton valve. Valve shall require less than 5 lbs. to activate. Valve and bubbler conform with the requirements of NSF61, section 9 and is IAPMO R&T certified to meet the lead free requirements of Section 1417 of the Federal Safe Drinking Water Act and Section 116875 of the California Health and Safety Code. Toilet shall be concealed blowout jet type with an elongated bowl, a self-draining flushing rim, and an integral contoured seat. Fixture shall be cUPC certified and toilet shall meet ASME A112.19.3 and CSA B45.4 requirements and will flush with a minimum of 25 PSI flow pressure. Toilet trap shall have a minimum 3-1/2" seal that shall pass a 2-1/8" diameter ball and be fully enclosed. Cabinet interior is to be sound deadened with fire-resistant material. Fixture shall withstand loadings of 5,000 pounds without permanent damage. Fixture shall be furnished with necessary fasteners for proper installation.

# Secur-Care® - Ligature Resistant LR1449:

ADA 2010 Compliant Lav/Toilet Ligature Resistant Comby - Offset Toilet Bowl



1. OPTIONAL -04-M AIR-CONTROL VALVE
2. DECK MOUNTED SPOUT & PUSHBUTTONS
3. HYDRAULIC FLUSH VALVE PUSHBUTTON
4. OPTIONAL -DMB DRINKING BUBBLER & PUSHBUTTON
5. GRAB BAR WITH L-SHAPED CLOSURE
6. 42" LONG GRAB BAR BY OTHERS
7. ACCESS PANEL/FLUSH MOUNT
8. 1-1/2" OD LAVY WASTE OUTLET
9. 2-3/8" OD TOILET WASTE OUTLET
10. WALL MOUNTING HARDWARE
11. CHASE MOUNTED FLUSH VALVE, HYDRAULIC SHOWN





# Secur-Care® - Ligature Resistant LR1449:

ADA 2010 Compliant Lav/Toilet Ligature Resistant Comby - Offset Toilet Bowl

### WALL THICKNESS AND TYPE (Must Specify)

Thickness: \_\_\_\_\_ Type:  Concrete  Block  Steel

### MODEL AND OPTIONS SELECTION:

#### BASE MODEL NUMBER

LR1449 49" Lav-Toilet Comby

#### TOILET ORIENTATION (Must Specify)

-LO Left Offset  
 -RO Right Offset

#### FIXTURE MOUNTING AND WASTE (Must Specify)

-2 On-Floor, Wall Outlet  
 -3 On-Floor, Floor Outlet w/ Gasket Waste Outlet

#### VALVE SELECTION (Must Specify)

##### Air-Trol (Pneumatic)

-03-M Single Temp, Metering  
 -04-M Hot & Cold, Metering

##### Master-Trol (Electronic)

-EVS1 Single Temp  
 -EVS2 Hot & Cold  
 -EVSP1 Single Temp, Piezo Button  
 -EVSP2 Hot & Cold, Piezo Buttons

##### Master-Trol PLUS (Electronic)

-MTP1 Single Temp  
 -MTP2 Hot & Cold  
 -MTPP1 Single Temp, Piezo Button  
 -MTPP2 Hot & Cold, Piezo Buttons

##### -MTP VALVE OPTION

-PFB Power Failure Bypass (Provides emergency drinking water in the event of power failure)

##### Time-Trol (Electronic)

-MVC1 Single Temp  
 -MVC1-BAT Single Temp Battery Powered (Batteries Not Included)  
 -MVC2 Hot & Cold  
 -MVC2-BAT Hot & Cold Battery Powered (Batteries Not Included)

##### Programmable (Electronic) w/9VDC Plug-In Transformer

-PPZ1 Single Temp Programmable Piezo Button  
 -PPZ2 Hot & Cold Programmable Piezo Button

##### Valve By Others

N/A

#### VALVE OPTIONS

-BRS Brass Body Valve  
 -CI Cycle Interrupt for Time-Trol Valves  
 -MA2 ManifolDED, 2-Stack  
 -MA3 ManifolDED, 3-Stack  
 -MA4 ManifolDED, 4-Stack  
 -TF Transformer, 120VAC to 24VAC (-MVC option only)

#### FLUSH VALVE GPF's (Must Specify)

-1.28 GPF  
 -1.6 GPF

#### FLUSH VALVE OPTIONS (Must Specify)

-EVSFV Master-Trol Electronic Flush Valve  
 -EVSPFV Master-Trol Electronic Flush Valve w/ Piezo Button  
 -FVBO Flush Valve by Others  
 -FVH Flush Valve, Hydraulic  
 -MTPFV Master-Trol PLUS Electronic Flush Valve  
 -MTPPFV Master-Trol PLUS Electronic Flush Valve w/ Piezo Button  
 -MVCFV Time-Trol Electronic Flush Valve

#### CABINET OPTIONS

-FMT Fixture Mounted Trim  
 -LGB Less Grab Bar  
 -PH Paper Holder, not ADA Compliant (Opposite Toilet/Offset Orientation)  
 -TG 12 Gage Cabinet  
 -THLR Towel Hook,  Single  Double (Installed on lavy side of unit)

#### LAVATORY WASTE OPTIONS

-CW Combined Waste\*  
*\*NOTE: Reduces Ligature Resistance due to Lavy Waste Drain Hole located within Toilet Bowl.*  
 -LWE Lavy Waste Extension (3" Standard) Specify Length Beyond Fixture: \_\_\_\_\_

#### TOILET OPTIONS

-CO1 Cleanout w/ 2-3/8" OD O-Ring Connection to No-Hub 4" (Plain End Only, Not applicable with -GW)  
 -CO1-3 Cleanout w/ 2-3/8" OD O-Ring Connection to No-Hub 3" (Plain End Only, Not applicable with -GW)  
 -COH Cleanout Hook Assembly  
 -FT Flood-Trol (Manual Reset)\*\*  
 -FTA Flood-Trol Auto-reset\*\*  
 -FTE Flood-Trol Electronic\*\*  
*\*\*NOTE: Reduces Ligature Resistance due to Toilet Bowl Sensor Fitting.*  
 -FVT Flush Valve Thru Wall Connector  
 -GW Gasket Toilet Waste, -Wall Outlet, (Standard with Floor Outlet) High Polished Seat  
 -HPS Pinned Cleanout Plug (For CO1 Options above)  
 -TSC Toilet Shipping Cover  
 -TWE Toilet Waste Extension, (3" Standard) Specify Length Beyond Fixture: \_\_\_\_\_  
 -WO3B 2-3/8" P-Trap w/ 3" OD Plain End Waste Outlet

#### PRODUCT OPTIONS

-EGE Enviro-Glaze, Specify Color: \_\_\_\_\_ Toilet Exterior Only  
 -DMB Deck Mounted Hemispherical Drinking Bubbler (Cold water only) Not applicable with -03-M tempered supply  
 -LPFV Less Punching for Flush Valve  
 -MT Metal Template (Only 1 required per project)  
 -SW Wall Sleeve  
 -VAC AcornVac Systems

Please visit [www.acorneng.com](http://www.acorneng.com) for most current specifications.

**WARNING:** Cancer and Reproductive Harm - [www.P65Warnings.ca.gov](http://www.P65Warnings.ca.gov)

<b>Important:</b> Installation instructions and current rough-in are furnished with each fixture. Do not rough in without certified dimensions. Dimensions are subject to manufacturer's tolerance of plus or minus 1/4" and change without notice. Acorn assumes no responsibility for use of void or superseded data. © Copyright 2009 Acorn Engineering Company	
<p style="text-align: center;">Selection Summary</p> <p>Model No. &amp; Options _____</p> <p>Quantity _____</p>	<p style="text-align: center;">Approved for Manufacturing</p> <p>Company _____ Title _____</p> <p>Signature _____ Date _____</p>