



Secur-Care® - Ligature Resistant LR1449FA Series

ADA 2010 Compliant - Lav/Toilet Ligature Resistant Comby - Offset Toilet Bowl - Front Access



LR1449FA-LO-2-04-DMB

Fixture May Show Some Available Options



Please visit www.acorneng.com for most current specifications.

ADA 2010 Compliant - Lav/Toilet Ligature Resistant Comby - Offset Toilet Bowl

IMPORTANT: For Compliance with CBC Calif. Title 24 refer to 1452 and LR1452 series.

Fixture is arranged to be installed on finished wall and serviced through removable access panels. Panels are secured with vandal resistant fasteners and are located on the face of the cabinet, on the open side of the cabinet and below the lavy section. Fixture cabinet and toilet are fabricated from 14 gage, type 304 stainless steel and polished to a satin finish. The inside of the toilet bowl also includes a satin finish. Cabinet interior is sound deadened with fire-resistant material. Optional Wall Sleeve or Metal Template is recommended for all installations to provide required wall openings. Unit complies with the accessibility requirements of ANSI, UFAS, ADA, and OBC regarding toilet and lavatory fixtures. Compliance is subject to the interpretation and requirements of the local code authority. (**NOTE:** Not compliant for CBC Calif. Title 24 Accessibility requirements.)

Lavatory 'D' Bowl is 15-1/4" x 12-1/2" x 4" deep. Standard P-trap waste outlet is 1-1/2" O.D. plain end.

Optional Valve may be an Air-Control pneumatically operated, hemispherical pushbutton valve with 1.4 GPM flow control for the DMS spout option and 0.70 GPM flow control for the DMB bubbler options. Pushbutton requires less than 5 lbs. to activate valve. Valve is metering, non-hold open type. Timing is from 5 to 60 seconds. Valve can be remotely located up to 10 feet from the operating pushbutton. Valve and bubbler conform to the requirements of for NSF61, section 9 and is IAPMO R&T certified to meet the lead free requirements of Section 1417 of the Federal Safe Drinking Water Act and Section 116875 of the California Health & Safety Code.

Toilet is blowout jet type with elongated bowl manufactured to ASME A112.19.3 and CSA B45.4 requirements and will flush with a minimum of 25 PSI flow pressure when used in conjunction with a minimum of 1.6 GPF. Trap has a minimum 3-1/2" seal and will pass a 2-1/8" ball. Toilet waste is gasket waste. Unit is provided with Suicide Resistant Skirt.

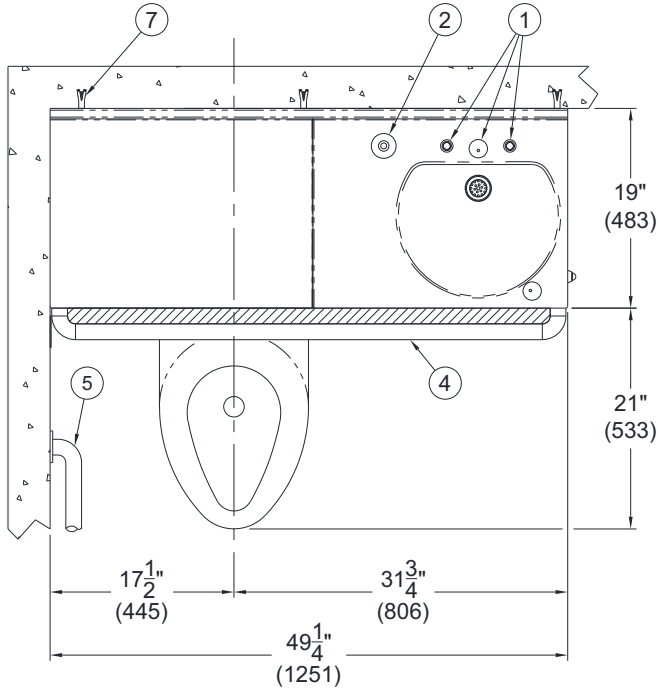
Grab Bar is heavy gage type 304 stainless steel construction, 1-1/2" diameter, extends the width of the fixture and measures 47-3/8" long from center to center. Grab bar is positioned behind toilet and is integral to the cabinet. Also includes ADA Compliant closure plate to reduce ligature points. Important: Optional Grab Bar Closure Plate may affect ADA Conformance.

GUIDE SPECIFICATION

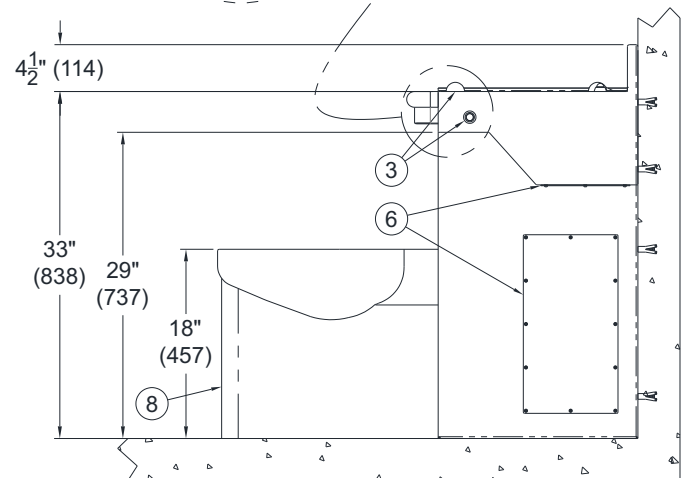
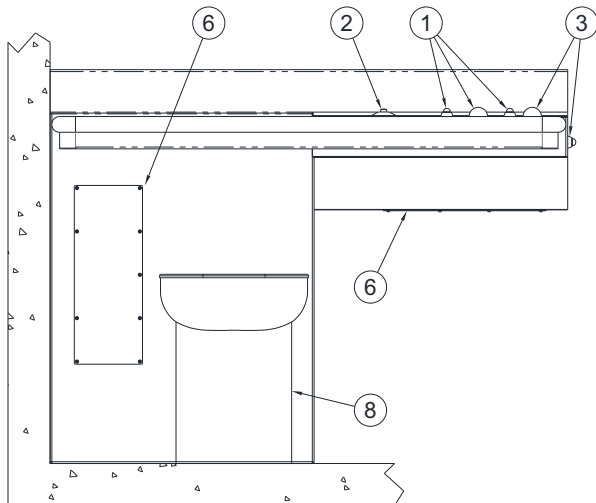
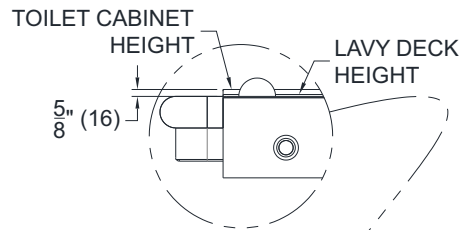
Provide and install Secur-Care® - Ligature Resistant ADA 2010ADA 2010 Lav/Toilet-Comby-Offset Toilet Bowl (specify model number and options). Fixture shall be fabricated from type 304 stainless steel. Construction shall be seamless welded and exposed surfaces shall have a satin finish. Provide a stainless steel grab bar to be located behind toilet. Fixture shall have an Air-Control pneumatically operated, metering, non-hold open pushbutton valve. Valve shall require less than 5 lbs. to activate. Valve and bubbler conform to the requirements of NSF61, section 9 and is IAPMO R&T certified to meet the lead free requirements of Section 1417 of the Federal Safe Drinking Water Act and Section 116875 of the California Health and Safety Code. Toilet shall be concealed blowout jet type with an elongated bowl, a self-draining flushing rim, and an integral contoured seat. Fixture shall be cUPC certified and toilet shall meet ASME A112.19.3 and CSA B45.4 requirements and will flush with a minimum of 25 PSI flow pressure when used in conjunction with a minimum of 1.6 GPF. Toilet trap shall have a minimum 3-1/2" seal that shall pass a 2-1/8" diameter ball and be fully enclosed. Cabinet interior is to be sound deadened with fire-resistant material. Fixture shall withstand loadings of 5,000 pounds without permanent damage. Fixture shall be furnished with necessary fasteners for proper installation.

Secur-Care® - Ligature Resistant LR1449FA:

ADA 2010 Compliant Lav/Toilet Ligature Resistant Comby - Offset Toilet Bowl - Front Access



1. DECK MOUNTED SPOUT & PUSHBUTTONS FOR -04-M VALVE OPTION
2. HYDRAULIC FLUSH PUSHBUTTON
3. OPTIONAL -DMB DRINKING BUBBLER & PUSHBUTTON
4. GRAB BAR WITH L-SHAPED CLOSURE
5. 42" LONG GRAB BAR BY OTHERS
6. ACCESS PANELS/FLUSH MOUNT
7. WALL ANCHORS BY OTHERS
8. LIGATURE RESISTANT SKIRT STANDARD



Secur-Care® - Ligature Resistant LR1449FA:

ADA 2010 Compliant Lav/Toilet Ligature Resistant Comby - Offset Toilet Bowl - Front Access



WALL THICKNESS AND TYPE (Must Specify)

Thickness: _____ Type: Concrete Block Steel

MODEL AND OPTIONS SELECTION:

BASE MODEL NUMBER

LR1449FA 49" Lav-Toilet Comby

TOILET ORIENTATION (Must Specify)

-LO Left Offset
 -RO Right Offset

FIXTURE MOUNTING AND WASTE (Must Specify)

-2 On-Floor, Wall Outlet
 -3 On-Floor, Floor Outlet

VALVE SELECTION (Must Specify)

Air-Trol (Pneumatic)

-03-M Single Temp, Metering
 -04-M Hot & Cold, Metering
 -04-MH Hot & Cold, Metering Hot Side Only

Master-Trol (Electronic)

-EVS1 Single Temp
 -EVS2 Hot & Cold
 -EVSP1 Single Temp, Piezo Button
 -EVSP2 Hot & Cold, Piezo Buttons

Master-Trol PLUS (Electronic)

-MTP1 Single Temp
 -MTP2 Hot & Cold
 -MTPP1 Single Temp, Piezo Button
 -MTPP2 Hot & Cold, Piezo Buttons

-MTP VALVE OPTION

-PFB Power Failure Bypass (Provides emergency drinking water in the event of power failure)

Time-Trol (Electronic)

-MVC1 Single Temp
 -MVC1-BAT Single Temp Battery Powered (Batteries Not Included)
 -MVC2 Hot & Cold
 -MVC2-BAT Hot & Cold Battery Powered (Batteries Not Included)

Programmable (Electronic) w/9VDC Plug-In Transformer

-PPZ1 Single Temp Programmable Piezo Button
 -PPZ2 Hot & Cold Programmable Piezo Button

Valve By Others

N/A

VALVE OPTIONS

-BRS Brass Body Valve
 -CI Cycle Interrupt for Time-Trol Valves
 -MA2 Manifolder, 2-Stack
 -MA3 Manifolder, 3-Stack
 -MA4 Manifolder, 4-Stack
 -TF Transformer, 120VAC to 24VAC (-MVC option only)

FLUSH VALVE GPF's (Must Specify)

-1.28 GPF
 -1.6 GPF

FLUSH VALVE OPTIONS (Must Specify)

-EVSFV Master-Trol Electronic Flush Valve
 -EVSPFV Master-Trol Electronic Flush Valve w/ Piezo Button
 -FVBO Flush Valve by Others
 -FVH Flush Valve, Hydraulic
 -MTPFV Master-Trol PLUS Electronic Flush Valve
 -MTPPFV Master-Trol PLUS Electronic Flush Valve w/ Piezo Button
 -MVCFV Time-Trol Electronic Flush Valve

CABINET OPTIONS

-FMT Fixture Mounted Trim
 -LGB Less Grab Bar
 -PH Paper Holder, not ADA Compliant (Opposite Toilet/Offset Orientation)
 -TG 12 Gage Cabinet
 -THLR Towel Hook, Single Double (Installed on lavy side of unit)

LAVATORY WASTE OPTIONS

-CW Combined Waste*
 *NOTE: Reduces Ligature Resistance due to Lavry Waste Drain Hole located within Toilet Bowl.

TOILET OPTIONS

-FT Flood-Trol (Manual Reset)**
 -FTA Flood-Trol Auto-reset**
 -FTE Flood-Trol Electronic**
 **NOTE: Reduces Ligature Resistance due to Toilet Bowl Sensor Fitting.

-HPS High Polished Seat
 -PE Plain End Waste Outlet, Extended 3" Beyond Back of Fixture
 -TSC Toilet Shipping Cover
 -TWE Toilet Waste Extension, (3" Standard w/ PE) Specify Length Beyond Fixture: _____
 -WO3B 2-3/8" OD P-Trap w/ 3" OD Plain End Waste Outlet Connection, Extended 3" Beyond Back of Fixture

PRODUCT OPTIONS

-EGE Enviro-Glaze, Specify Color: _____ Toilet Exterior Only
 -DMB Deck Mounted Hemispherical Drinking Bubbler (Cold water only) Not applicable with -03-M tempered supply
 -LPFV Less Punching for Flush Valve
 -MT Metal Template (Only 1 required per project)
 -SW Wall Sleeve
 -VAC AcornVac Systems

Please visit www.acorneng.com for most current specifications.

<p>Important: Installation instructions and current rough-in are furnished with each fixture. Do not rough in without certified dimensions. Dimensions are subject to manufacturer's tolerance of plus or minus 1/4" and change without notice. Acorn assumes no responsibility for use of void or superseded data. © Copyright Acorn Engineering Company</p>	
<p style="text-align: center;">Selection Summary</p> <p>Model No. & Options _____</p> <p>Quantity _____</p>	<p style="text-align: center;">Approved for Manufacturing</p> <p>Company _____ Title _____</p> <p>Signature _____ Date _____</p>