



## Secur-Care® - Ligature Resistant LR1653 Series

Ligature Resistant Lavatory with D-Shaped Bowl - ADA 2010 Compliant



LR1653-1-04-M

Patent #D809,112

Fixture May Show Some Available Options

Please visit [www.acorneng.com](http://www.acorneng.com) for most current specifications.

### Ligature Resistant Lavatory with D-Shaped Bowl - ADA 2010 Compliant

**Ligature Resistant Fixture** is designed to be installed on a finished wall and serviced from an accessible pipe chase. Optional Wall Sleeve or Metal Template is recommended for all installations for required wall openings. Lavatory complies with ANSI, UFAS, CBC and ADA 2010 requirements for accessibility. Compliance is subject to the interpretation and requirements of the local code authority.

**Cabinet** is fabricated from 14 gage, type 304 stainless steel and is seamless welded construction with exposed surfaces polished to a satin finish. Cabinet interior is sound-deadened with fire-resistant material. There are no accessible voids or crevices where contraband can be concealed.

**Lavatory D-Shaped Bowl** is 15" x 12-1/2" x 3-1/2" deep and includes an integral fast drain. Standard elbow waste outlet is 1-1/2" O.D. plain end and extends 11" beyond the fixture to be field trimmed to fit by installer.

**Optional Lavatory Valve** is an pneumatically operated, hemispherical pushbutton Air-Control valve using atmospheric air. Hemispherical pushbutton is ligature-resistant and requires less than 5 pounds to activate valve. Valve is metering, non-hold open type. Valve timing is adjustable from 5 to 60 seconds. Valve includes a 0.5 GPM flow control and can be remotely located up to 10 feet from the operating pushbutton. Valve and Bubbler conforms with lead free requirements of NSF61, Section 9 and CHSC 116875.

**Regularly furnished** items include a fast drain and mounting hardware for walls up to 8" thick, hemispherical bubbler and pushbuttons.

#### GUIDE SPECIFICATION

Provide and install an Secur-Care® - Ligature Resistant, ADA 2010 Compliant Ligature Resistant Lavatory with D-Shaped Bowl (specify model number and options). Unit shall conform with ANSI, UFAS, CBC and ADA requirements for accessibility. Fixture shall be fabricated from 14 gage, type 304 stainless steel. Construction shall be seamless welded and exposed surfaces shall have a satin finish. Provide Air-Control pneumatically operated, metering, non-hold open valve with ADA compliant hemispherical pushbutton. Valve and Bubbler conform with lead free requirements of NSF61, Section 9 and CHSC 116875. Cabinet interior shall be sound deadened with fire-resistant material. Fixture shall be furnished with necessary fasteners to complete installation.



# Secur-Care® - Ligature Resistant LR1653:

## Ligature Resistant Lavatory with D-Shaped Bowl - ADA Compliant

### WALL THICKNESS AND TYPE (Must Specify)

Thickness: \_\_\_\_\_ Type:  Concrete  Block  Steel

### MODEL AND OPTIONS SELECTION:

#### BASE MODEL NUMBER

- LR1653 Ligature Resistant Lavatory with D-Shaped Bowl - ADA Compliant

#### FIXTURE MOUNTING AND WASTE (Must Specify)

- 1 Off-Floor, Wall Outlet

#### VALVE SELECTION (Must Specify)

##### Air-Trol (Pneumatic)

- 03-M Single Temp, Metering
- 04-M Hot & Cold, Metering

##### Master-Trol (Electronic)

- EVS1 Single Temp
- EVS2 Hot & Cold
- EVSP1 Single Temp, Piezo Button
- EVSP2 Hot & Cold, Piezo Buttons

##### Master-Trol PLUS (Electronic)

- MTP1 Single Temp
- MTP2 Hot & Cold
- MTPP1 Single Temp, Piezo Button
- MTPP2 Hot & Cold, Piezo Buttons

##### -MTP VALVE OPTION

- PFB Power Failure Bypass (Provides drinking water in the event of power failure)

##### Time-Trol (Electronic)

- MVC1 Single Temp
- MVC1-BAT Single Temp Battery Powered (Batteries Not Included)
- MVC2 Hot & Cold
- MVC2-BAT Hot & Cold Battery Powered (Batteries Not Included)

##### Programmable (Electronic) w/9VDC Plug-In Transformer

- PPZ1 Single Temp Programmable Piezo Button
- PPZ2 Hot & Cold Programmable Piezo Button

### VALVE OPTIONS

- BRS Brass Body Valve
- CI Cycle Interrupt for Time-Trol Valves
- MA2 Manifoldded, 2-Stack
- MA3 Manifoldded, 3-Stack
- MA4 Manifoldded, 4-Stack
- TF Transformer, 120VAC to 24VAC (-MVC option only)

### CABINET OPTIONS

- FMT Fixture Mounted Trim
- TG 12 Gage Cabinet
- THLR Towel Hook
- Left Side:  Single  Double
- Right Side:  Single  Double

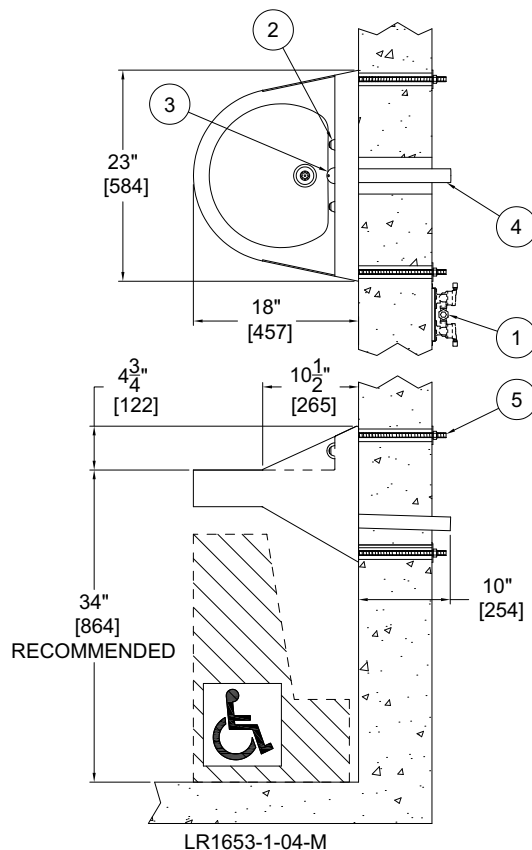
### LAVATORY WASTE OPTIONS

- LW1 Thru-Wall Waste Extension with P-Trap
- LWE Lavy Waste Extension (10" Standard) Specify Length Beyond Fixture: \_\_\_\_\_

### PRODUCT OPTIONS

- EG Enviro-Glaze, Specify Color: \_\_\_\_\_
- MT Metal Template (Only 1 Required Per Project)
- SW Wall Sleeve
- VAC AcornVac System

Please visit [www.acorneng.com](http://www.acorneng.com) for most current specifications.



#### NOTES:

1. Optional -04 Air-Control Valve
2. Hemispherical Pushbutton
3. Hemispherical Bubbler
4. Lavy Waste Outlet
5. Wall Mounting Hardware

**WARNING:** Cancer and Reproductive Harm - [www.P65Warnings.ca.gov](http://www.P65Warnings.ca.gov)

<b>Important:</b> Installation instructions and current rough-in are furnished with each fixture. Do not rough in without certified dimensions. <small>Dimensions are subject to manufacturer's tolerance of plus or minus 1/4" and change without notice. Acorn assumes no responsibility for use of void or superseded data. © Copyright 2009 Acorn Engineering Company</small>	
<p style="text-align: center;">Selection Summary</p> <p>Model No. &amp; Option _____</p> <p>Quantity _____</p>	<p style="text-align: center;">Approved for Manufacturing</p> <p>Company _____ Title _____</p> <p>Signature _____ Date _____</p>