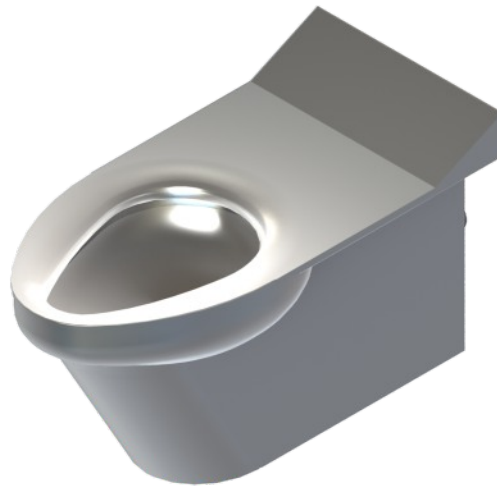




## Secur-Care® - Ligature Resistant LR1684 Series Ligature Resistant Siphon Jet Toilet - On-Floor



LR1684-W-2

Fixture May Show Some Available Options



Please visit [www.acorneng.com](http://www.acorneng.com) for most current specifications.

### Ligature Resistant Siphon Jet Toilet - On-Floor

**Ligature Resistant Fixture** is arranged to be installed on finished wall and serviced from an accessible pipe chase. Optional Wall Sleeve or Metal Template is recommended for all installations for required wall openings. Toilet Bowl and Housing is fabricated from 14 gage, type 304 stainless steel and is seamless welded construction. Housing is structurally reinforced and is sound-deadened with fire-resistant material. Exterior is polished to a satin finish. The inside of the Toilet Bowl also has a satin finish. There are no accessible voids or crevices where contraband can be concealed. Engineered to reduce possible risk of the fixture being used as a ligature device.

**Toilet** is a siphon jet type with elongated bowl manufactured to ASME A112.19.3 and CSA B45.4 requirements and will flush with a minimum of 25 PSI flow pressure when used in conjunction with a minimum of 1.28 GPF. P-Trap has a minimum of 3-1/2" seal and will pass a 2-1/8" ball. Toilet waste outlet is 2-3/8" diameter plain end extending 3" beyond the back of the fixture.

**Regularly Furnished** items include mounting hardware for walls up to 8" thick.

#### GUIDE SPECIFICATION

Provide and install Secur-Care® Ligature Resistant Siphon Jet Toilet, (specify model number and options). Toilet Bowl shall be fabricated from 14 gage, type 304 stainless steel. Construction shall be seamless welded and exposed surfaces shall have a satin finish. Toilet shall be concealed siphon jet type with an elongated bowl, a self-draining Flushing Rim, and an integral contoured Seat. Toilet shall meet ASME A112.19.3 and CSA B45.4 requirements and will flush with a minimum of 25 PSI flow pressure when used in conjunction with a minimum of 1.28 GPF. Toilet P-Trap shall have a minimum 3-1/2" seal that shall pass a 2-1/8" diameter ball and be fully enclosed. Fixture shall withstand loadings of 5,000 pounds without permanent damage. Fixture shall be furnished with necessary fasteners for proper installation.

# Secur-Care® - Ligature Resistant LR1684: Ligature Resistant Siphon Jet Toilet - On-Floor



## WALL THICKNESS AND TYPE (Must Specify)

Thickness: \_\_\_\_\_ Type:  Concrete  Block  Steel

## MODEL NUMBER AND OPTIONS SELECTION:

### BASE MODEL NUMBER

LR1684 Ligature Resistant Siphon Jet Toilet

### SUPPLY (Must Specify)

-T Top (Exposed)  
 -W Wall (Concealed)

### FIXTURE MOUNTING AND WASTE

-2 On-Floor, Wall Outlet  
 -ADA 18" Integral Seat Height

### FLUSH VALVE GPFs (Must Specify)

-1.28 GPF (HET)  
 -1.6 GPF (Not Available in California)

### FLUSH VALVE OPTIONS (Must Specify)

**\*NOTE: FOR FLUSH VALVE ACCESS PANEL OR COVER REFER TO ACORN OPTIONS MODEL #2898 (-W SUPPLY) OR # 2802 (-T SUPPLY).**

- EVSFV Master-Trol® Electronic Flush Valve (N/A for Top Supply)
- EVSPFV Master-Trol® Electronic Flush Valve w/ Piezo Button (N/A for Top Supply)
- FV Flush Valve, Mechanical (N/A for Top Supply, Accessory Options or ADA)
- FVBO Flush Valve by Others
- FVH Flush Valve, Hydraulic (N/A for Top Supply)
- MTPFV Master-Trol® PLUS Electronic Flush Valve (N/A for Top Supply)
- MTPPFV Master-Trol® PLUS Electronic Flush Valve w/ Piezo Button (N/A for Top Supply)
- MVCFV Time-Trol® Electronic Flush Valve (N/A for Top Supply)

## TOILET SEAT OPTIONS

-HPS High Polish Integral Seat

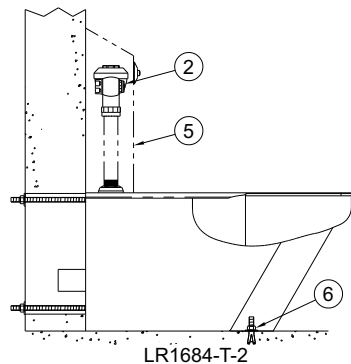
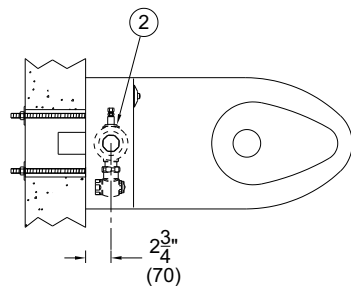
## TOILET OPTIONS

- CO1 Cleanout w/ O-Ring Connecting to No-Hub 4" (Plain End Only)
- CO1-3 Cleanout w/ O-Ring Connecting to No-Hub 3" (Plain End Only)
- COH Cleanout Hook Assembly
- FT Flood-Trol (N/A with Top Supply)
- FTA Flood-Trol Auto-Reset (N/A with Top Supply)
- FTE Flood-Trol Electronic
- FVT Flush Thru-Wall Connector
- GW Gasketed Toilet Waste
- PC Pinned Cleanout Plug (For -CO1 Options above)
- TG 12 Gage Housing
- TSC Toilet Shipping Cover
- TWE Toilet Waste Extension (3" Standard) Specify Length Beyond Fixture: \_\_\_\_\_
- WO3B 3" Bell Waste Outlet w/ Std. 2-3/8" P-Trap

## PRODUCT OPTIONS

- EGE Enviro-Glaze Color Specify: \_\_\_\_\_ Toilet Exterior Only
- MT Metal Template (Only 1 Required Per Project)
- SW Wall Sleeve
- TF Transformer, 120VAC to 24VAC (-MVCFV option)
- VAC AcornVac System

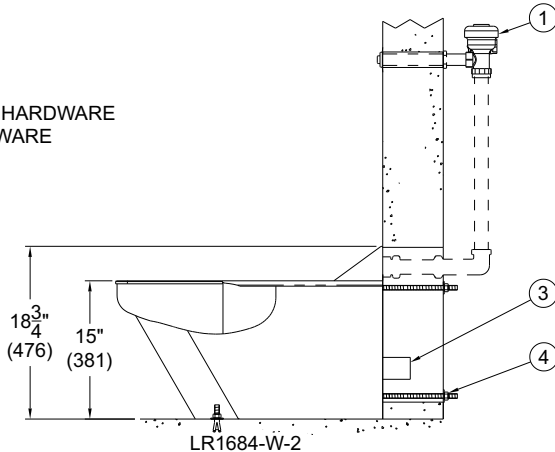
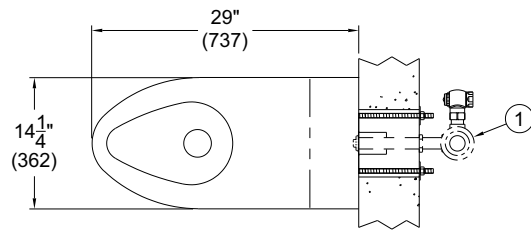
Please visit [www.acorneng.com](http://www.acorneng.com) for most current specifications.



LR1684-T-2

### NOTES:

1. OPTIONAL -W WALL SUPPLY, -FV FLUSH VALVE
2. OPTIONAL -T TOP SUPPLY, -FVH FLUSH VALVE
3. TOILET WASTE OUTLET
4. 1/2"-13 UNC WALL MOUNTING HARDWARE
5. FLUSH VALVE COVER, DURA-WARE 2802-SLPT-RH
6. FLOOR ANCHORING



LR1684-W-2

**WARNING:** Cancer and Reproductive Harm - [www.P65Warnings.ca.gov](http://www.P65Warnings.ca.gov)

<p><b>Important:</b> Installation instructions and current rough-in are furnished with each fixture. Do not rough in without certified dimensions. Dimensions are subject to manufacturer's tolerance of plus or minus 1/4" and change without notice. Acorn assumes no responsibility for use of void or superseded data. © Copyright 2009 Acorn Engineering Company</p>	
<p style="text-align: center;">Selection Summary</p> <p>Model No. &amp; Option _____</p> <p>Quantity _____</p>	<p style="text-align: center;">Approved for Manufacturing</p> <p>Company _____ Title _____</p> <p>Signature _____ Date _____</p>