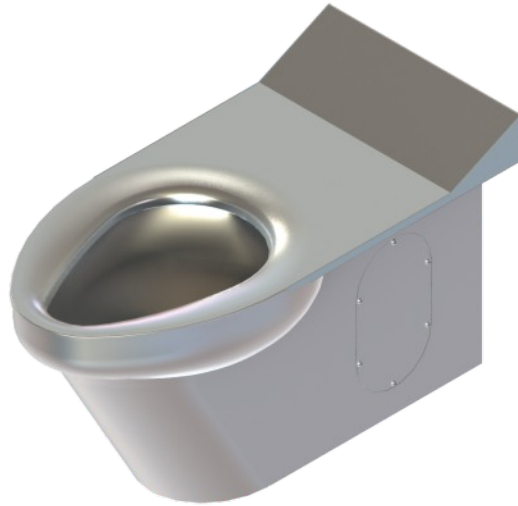




Secur-Care® - Ligature Resistant LR1695 Series Ligature Resistant Siphon Jet Toilet - Floor Outlet



LR1695-W-3-CN

Fixture May Show Some Available Options



Please visit www.acorneng.com for most current specifications.

Ligature Resistant Siphon Jet Toilet - Floor Outlet

Ligature Resistant Fixture is arranged to be installed on finished wall and serviced from an accessible pipe chase. Optional Wall Sleeve or Metal Template is recommended for all installations for required wall openings. Toilet bowl is fabricated from 14 gage, type 304 stainless steel and is seamless welded construction. Housing is structurally reinforced and is sound-deadened with fire-resistant material. Exterior is polished to a satin finish. The inside of the toilet bowl also has a satin finish. There are no accessible voids or crevices where contraband can be concealed. Engineered to reduce possible risk of the fixture being used as a ligature device.

Toilet is siphon jet type with elongated bowl manufactured to ASME A112.19.3 and CSA B45.4 requirements and will flush with a minimum of 25 PSI flow pressure when used in conjunction with a minimum of 1.28 GPF. Trap has a minimum 3-1/2" seal and will pass a 2-1/8" ball. Toilet waste outlet is 7-1/2" Gasketed Waste with 6" mounting centers. Connecting hardware provided by installer.

Regularly Furnished items include 1/4"-20 x 1" long floor fasteners and mounting hardware for walls up to 8" thick.

GUIDE SPECIFICATION

Provide and install Secur-Care® Ligature Resistant Siphon Jet Toilet, Floor Outlet (specify model number and options). Toilet bowl shall be fabricated from 14 gage, type 304 stainless steel. Construction shall be seamless welded and exposed surfaces shall have a satin finish. Toilet shall be concealed siphon jet type with an elongated bowl, a self-draining flushing rim, and an integral contoured seat. Toilet shall meet ASME A112.19.3 and CSA B45.4 requirements and will flush with a minimum of 25 PSI flow pressure when used in conjunction with a minimum of 1.28 GPF. Toilet trap shall have a minimum 3-1/2" seal that shall pass a 2-1/8" diameter ball and be fully enclosed. Toilet waste outlet shall be 7-1/2" Gasketed Waste with 6" mounting center. Connecting hardware provided by installer. Fixture shall withstand loadings of 5,000 pounds without permanent damage. Fixture shall be furnished with necessary fasteners for proper installation.

Secur-Care® - Ligature Resistant LR1695: Ligature Resistant Siphon Jet Toilet - Floor Outlet



WALL THICKNESS AND TYPE (Must Specify)
Thickness: _____ Type: Concrete Block Steel

MODEL NUMBER AND OPTIONS SELECTION:

BASE MODEL NUMBER
 LR1695 Ligature Resistant Siphon Jet Toilet

SUPPLY (Must Specify)
 -T Top (Exposed)
 -W Wall (Concealed)

FIXTURE MOUNTING AND WASTE
 -3 On-Floor, Floor Outlet
 -ADA 18" Integral Seat Height

FLUSH VALVE GPF'S (Must Specify)
 -1.28 GPF (HET)
 -1.6 GPF (Not Available in California)

FLUSH VALVE OPTIONS (Must Specify)
***NOTE: FOR FLUSH VALVE ACCESS PANEL OR COVER REFER TO ACORN OPTIONS MODEL #2898 (-W SUPPLY) OR # 2802 (-T SUPPLY).**

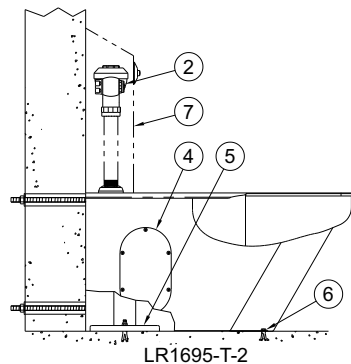
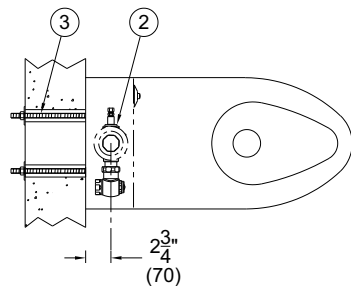
- EVSVF Master-Trol® Electronic Flush Valve (N/A for Top Supply)
- EVSPFV Master-Trol® Electronic Flush Valve w/Piezo Button (N/A for Top Supply)
- FV Flush Valve, Mechanical (N/A for Top Supply, Accessory Options or ADA)
- FVBO Flush Valve by Others
- FVH Flush Valve, Hydraulic (N/A for Top Supply)
- MTPFV Master-Trol® PLUS Electronic Flush Valve (N/A for Top Supply)
- MTPPFV Master-Trol® PLUS Electronic Flush Valve w/Piezo Button (N/A for Top Supply)
- MVCFV Time-Trol® Electronic Flush Valve (N/A for Top Supply)

TOILET SEAT OPTIONS
 -HPS High Polish Integral Seat

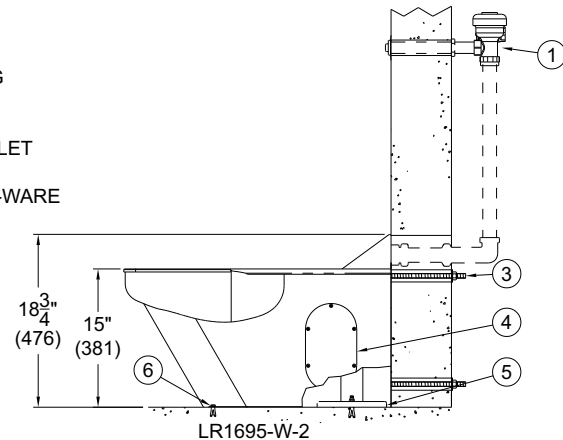
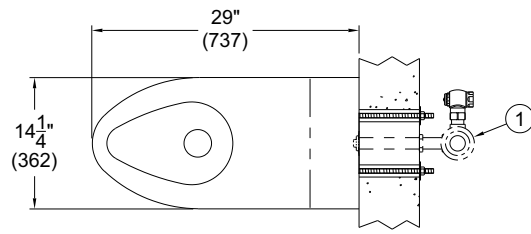
TOILET OPTIONS
 -FT Flood-Trol (N/A with Top Supply)
 -FTA Flood-Trol Auto-Reset (N/A with Top Supply)
 -FTE Flood-Trol Electronic
 -FVT Flush Thru-Wall Connector
 -TG 12 Gage Housing
 -TSC Toilet Shipping Cover

PRODUCT OPTIONS
 -EGE Enviro-Glaze Color Specify: _____
Toilet Exterior Only
 -CN Cap Nuts (2) (For 5/16"-18 UNC Hardware By Others)
 -MT Metal Template (Only 1 Required Per Project)
 -SW Wall Sleeve
 -TF Transformer, 120VAC to 24VAC (-MVCFV option)
 -VAC AcornVac System

Please visit www.acorneng.com for most current specifications.



- NOTES:**
1. OPTIONAL -W WALL SUPPLY, -FV FLUSH VALVE
 2. OPTIONAL -T TOP SUPPLY, -FVH FLUSH VALVE
 3. 1/2"-13 UNC WALL MOUNTING HARDWARE
 4. ACCESS PANELS
 5. Ø7-1/2" GASKET WASTE OUTLET
 6. FLOOR ANCHORING
 7. FLUSH VALVE COVER, DURA-WARE 2802-SLPT-RH SHOWN FOR REFERENCE



WARNING: Cancer and Reproductive Harm - www.P65Warnings.ca.gov

<p>Important: Installation instructions and current rough-in are furnished with each fixture. Do not rough in without certified dimensions. Dimensions are subject to manufacturer's tolerance of plus or minus 1/4" and change without notice. Acorn assumes no responsibility for use of void or superseded data. © Copyright 2009 Acorn Engineering Company</p>	
<p style="text-align: center;">Selection Summary</p> <p>Model No. & Option _____</p> <p>Quantity _____</p>	<p style="text-align: center;">Approved for Manufacturing</p> <p>Company _____ Title _____</p> <p>Signature _____ Date _____</p>