



Secur-Care® - Ligature Resistant LR1748ADA Series

Ligature Resistant Wall Shower - ADA Compliant



LR1748ADA-03-M

Fixture May Show Some Available Options

- Patented D697,591
- Patent Pending

Please visit www.acorneng.com for most current specifications.

Acorn - Ligature Resistant Wall Shower - ADA Compliant

Shower is designed to be installed on a finished wall and serviced from an accessible pipe chase. Optional Wall Sleeve or Metal Template is recommended for all installations for required wall openings. The fixture is fabricated from 14 gauge, type 304 stainless steel and the exterior has a #4 satin finish. Unit conforms with ANSI, UFAS and ADA requirements for accessibility. Compliance is subject to the interpretation and requirements of the local code authority.

NOTE: Note intended for use in California.

Conical Showerheads are chrome-plated brass and are Ligature-Resistant with a non-adjustable multi-stream spray.

Valve is a ASSE T/P Temperature/Pressure Balancing Mixing Valve with Patented Tri-Lever Handle and a pneumatically operated, Pushbutton Air-Control Valve using atmospheric air. Hemispherical Pushbutton is Vandal-Resistant and requires less than 5 pounds of force to activate Valve. Valve is metering, non-hold open type. Valve timing is adjustable from 5 to 60 seconds. Valve includes a 1.6 GPM flow restrictor and can be remotely located up to 10 feet from the operating Pushbutton. Valve conforms with Lead-Free requirements of NSF61, Section 9.

Regularly furnished items include an ADA compliant Control Valve, two Conical Showerheads, a recessed Soap Dish, and Mounting Hardware. Refer to accessibility standards and guidelines for additional installation requirements.

GUIDE SPECIFICATION

Provide and install an Secur-Care®-Ligature Resistant, ADA Compliant Wall Shower (specify model number and options). Shower Panel is fabricated from 14 gauge, type 304 stainless steel with a #4 satin finish. Exposed trim is chrome-plated brass. Fixture is furnished with a fixed Showerhead. Shower is provided with an ADA compliant ASSE T/P Temperature/Pressure Balancing Mixing Valve with Patented Tri-Lever Handle Control Valve. A stainless steel recessed Soap Dish shall be factory installed in place. Fixture shall be provided with necessary fasteners for proper installation. Units to conform with ANSI, UFAS and ADA requirements for accessibility.

Secur-Care® - Ligature Resistant: LR1748ADA

Ligature Resistant Wall Shower - ADA Compliant



WALL THICKNESS AND TYPE (Must Specify)

Thickness: _____ Type: Concrete Block Steel

MODEL NUMBER AND OPTIONS SELECTION:

BASE MODEL NUMBER

LR1748ADA Ligature Resistant Wall Shower
- ADA Compliant

RISER METERING VALVE SELECTION (Must Specify)

Air-Trol (Pneumatic)

-03-M Manifolded Single Temp, Metering

Master-Trol (Electronic)

-EVSP1 S/T, Piezo Button

Master-Trol PLUS (Electronic)

-MTPP1 S/T, Piezo Button

Time-Trol (Electronic)

-MVC1 Single Temp

Programmable (Electronic) w/9VDC Plug-In Transformer

-PPZ1 Single Temp Programmable Piezo Button

NOTE: Valve assemblies are manifolded to serve upper and lower Showerheads and Pushbuttons.

VALVE OPTIONS

-BRS Brass Body Valve
 -TF Transformer, 120VAC to 24VAC (-MVC option only)

SHOWERHEAD OPTIONS

-F Flow Control, Must Specify:
 2.0 GPM (Not Intended For Use in California)

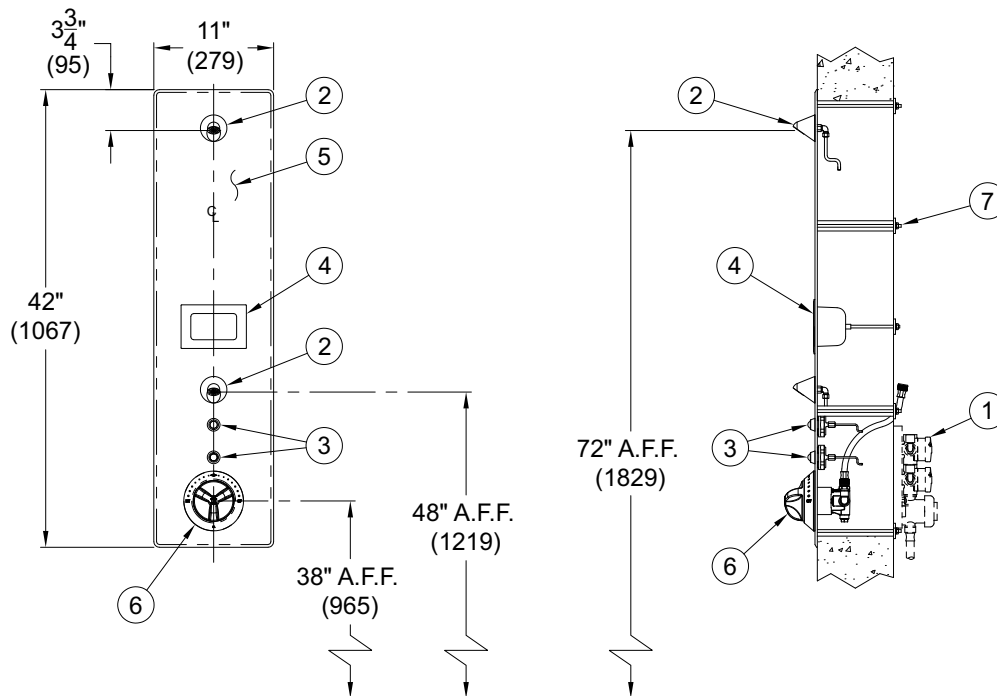
PRODUCT OPTIONS

-EG Enviro-Glaze, Specify Color: _____
 -LRD Less Recessed Soap Dish
 -MT Metal Template (Only 1 Required Per Project)
 -SW Wall Sleeve

Please visit www.acorneng.com for most current specifications.

NOTES:

1. -03-M Air-Control Riser Valve
2. Conical Showerhead
3. Control Valve Pushbuttons
4. Recessed Soap Dish
5. Shower Panel
6. ASSE T/P Temp./Press. Balancing Mixing Valve w/ Tri-Lever Handle
7. Wall Mounting Hardware



LR1748ADA-03-M

WARNING: Cancer and Reproductive Harm - www.P65Warnings.ca.gov

<p>Important: Installation instructions and current rough-in are furnished with each fixture. Do not rough in without certified dimensions. Dimensions are subject to manufacturer's tolerance of plus or minus 1/4" and change without notice. Acorn assumes no responsibility for use of void or superseded data. © Copyright 2006 Acorn Engineering Company</p>	
<p style="text-align: center;">Selection Summary</p> <p>Model No. & Option _____</p> <p>Quantity _____</p>	<p style="text-align: center;">Approved for Manufacturing</p> <p>Company _____ Title _____</p> <p>Signature _____ Date _____</p>