



Secur-Care® - Ligature Resistant LR3336 Series Ligature Resistant Siphon Jet Toilet - On Floor Replacement



LR3336-W-3

Fixture May Show Some Available Options



Please visit www.acorneng.com for most current specifications.

Ligature Resistant Siphon Jet Toilet - On Floor Replacement

This Ligature Resistant Siphon Jet Toilet is available for Rear Mounting on a finished wall. Engineered to reduce possible risk of the fixture being used as a ligature device. Fixture is designed to replace a variety of existing toilets, including but not limited to the following manufacturers model numbers:

ALUMINUM PLUMBING FIXTURE CORP. (Super Secur):

Adapto A-212, Adapto A-112, Adapto A-210, Adapto A-110.

CRANE: Sanwalton 3-483, Sanwalton 3-482.

KOHLER: Angleboro K-4497-ET.

Toilet Bowls are fabricated from 14 gage, type 304 stainless steel and are seamless welded construction. Wall flange is structurally reinforced. Exterior is satin finish with an integral contoured toilet seat. The inside of the toilet bowl has a matte finish. There are no accessible voids or crevices where contraband can be concealed.

Toilet is siphon jet type with elongated bowl manufactured to ASME A112.19.3 and CSA B45.4 standards. Toilet requires a minimum of 25 PSI flow pressure and uses a minimum water consumption of 1.28 GPF. Trap has a minimum 3-1/2" seal and will pass a 2-1/8" ball and is fully enclosed. Toilet waste outlet is a gasketed waste.

GUIDE SPECIFICATION

Provide and install Secur-Care® Ligature Resistant Siphon Jet Toilet (specify model number and options). Toilet bowl shall be fabricated from 14 gage, type 304 stainless steel. Construction shall be seamless welded and exposed surfaces shall have a satin finish. Toilet shall be concealed siphon jet type with an elongated bowl, a self-draining flushing rim and an integral contoured seat. Toilet shall be ASME A112.19.3 and CSA B45.4 compliant. Toilet requires a minimum of 25 PSI flow pressure and uses a minimum water consumption of 1.28 GPF. Toilet trap shall have a minimum 3-1/2" seal that shall pass a 2-1/8" diameter ball and be fully enclosed. No fasteners are provided. Engineered to reduce possible risk of the fixture being used as a ligature device

Secur-Care® - Ligature Resistant LR3336: Ligature Resistant Siphon Jet Toilet - On Floor Replacement



WALL THICKNESS AND TYPE (Must Specify)

Thickness: _____ Type: Concrete Block Steel

MODEL NUMBER AND OPTIONS SELECTION:

BASE MODEL NUMBER

LR3336 Siphon Jet Toilet (Rear Mounted Replacement)

SUPPLY (Must Specify)

-T Top (Exposed)
 -W Wall (Concealed)

FIXTURE MOUNTING AND WASTE

-3 On-Floor, Floor Outlet
 -ADA 18" Integral Seat Height

FLUSH VALVE GPFs (Must Specify)

1.28 GPF (HET)
 1.6GPF (Not Available in California)

FLUSH VALVE OPTIONS (Must Specify)

SEE ACORN DURA-WARE SUPPLEMENTARY MATERIAL FOR FLUSH VALVE COVERS AND BOXES

- EVSFV Master-Trol® Electronic Flush Valve (N/A for Top Supply)
- FV Flush Valve, Mechanical (N/A for ADA)
- FVBO Flush Valve by Others
- FVH Flush Valve, Hydraulic (N/A for Top Supply)
- MTPFV Master-Trol® PLUS Electronic Flush Valve (N/A for Top Supply)
- MVCFV Time-Trol® Electronic Flush Valve (N/A for Top Supply)

TOILET SEAT OPTIONS

-HPS High Polish Integral Seat

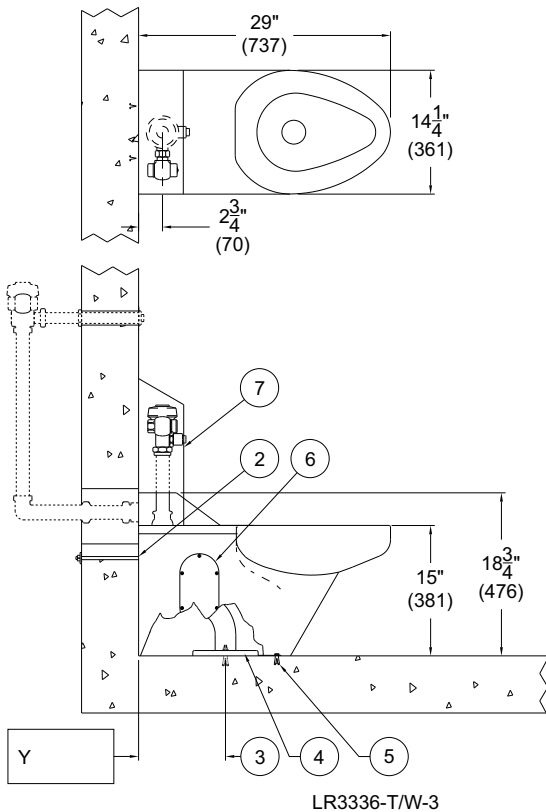
TOILET OPTIONS

- FT Flood-Trol (N/A w/ Top Supply)
- FTA Flood-Trol Auto-Reset (N/A w/ Top Supply)
- FTE Flood-Trol Electronic
- FVT Flush Thru Wall Connector
- HET High Efficiency Toilet Design
- TSC Toilet Shipping Cover

PRODUCT OPTIONS

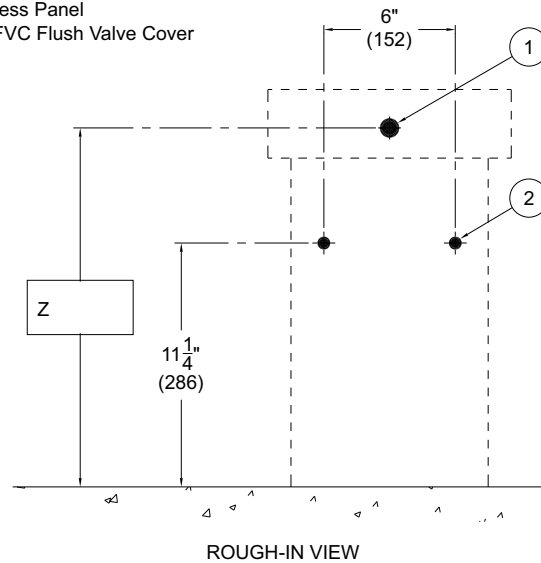
- 3395 Anchoring Assembly
- CI Cycle Interrupt for Time-Trol Valves
- EGE Enviro-Glaze Color Specify: _____ Exterior Only
- TF Transformer, 120VAC to 24VAC (-MVCFV option)

Please visit www.acorneng.com for most current specifications.



NOTES:

1. Flushing Inlet
2. Two Mounting Points
3. For Y Dimensions Larger Than 10", Length Increases Proportionally
4. Toilet Floor Waste Outlet
5. Floor Fasteners
6. Access Panel
7. LRFVC Flush Valve Cover



WARNING: Cancer and Reproductive Harm - www.P65Warnings.ca.gov

Important: Installation instructions and current rough-in are furnished with each fixture. Do not rough in without certified dimensions. <small>Dimensions are subject to manufacturer's tolerance of plus or minus 1/4" and change without notice. Acorn assumes no responsibility for use of void or superseded data. © Copyright 2009 Acorn Engineering Company</small>	
<p style="text-align: center;">Selection Summary</p> <p>Model No. & Option _____</p> <p>Quantity _____</p>	<p style="text-align: center;">Approved for Manufacturing</p> <p>Company _____ Title _____</p> <p>Signature _____ Date _____</p>