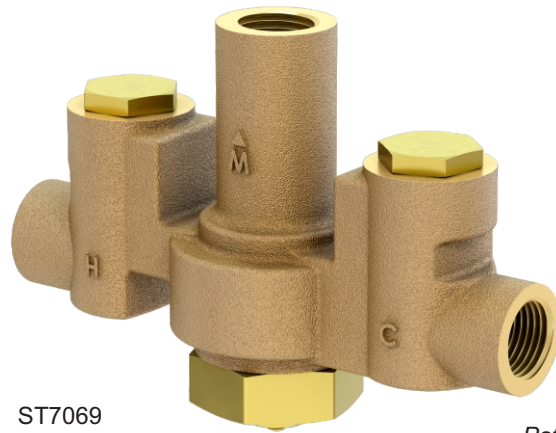


Model ST7069

Lead-Free Thermostatic Mixing Valve

APPLICATION:

The Acorn ST7069 an ASSE 1070 and 1069 Certified Thermostatic Mixing Valve is Lead-Free and ideal for delivering safe tempered water at the point-of-use fixture(s) such as sinks, baths, showers or lavatories in residential, commercial and institutional environments. This valve can deliver 12 GPM (45 LPM) @ 45 PSI (310 kPa) differential and accommodate up to 8 single temperature showers or up to 24 hand washing stations with 0.5 GPM (1.9 LPM) flow restrictors.



ST7069

Patent Pending

FEATURES:

- ⇨ Lead-Free certified DZR brass body with corrosion resistant and lead-free internal components.
- Integral cartridge style checks with screens to prevent backflow and filter debris from entering the valve.
- Temperature adjustment is made using a allen wrench and a locknut on the bonnet prevents unauthorized or accidental temperature adjustment.
- Commercial quality paraffin actuator provides repeatable, reliable performance.
- Lockable Brass ball valves optionally available.
- IAPMO certified to ASSE 1069.
- IAPMO certified to ASSE 1070.
- IAPMO certified to CSAB125.3.

SPECIFICATIONS:

Valve Specifications:

Maximum Operating Pressure: 125 PSI (862 kPa)
 Maximum Hot Water Supply Temp: 180°F (82°C)
 Minimum Hot Water Supply Temp.**: 10°F (6°C)
 Above Set Point
 Outlet Temp. Range*: 90°F-115°F (32°F-46°C)
 Flow Rate: 12 GPM (45 LPM) @ 45 PSI (310 kPa)
 Differential
 Certified Minimum Flow*: 0.5 GPM (1.9 LPM)
 Connections 1/2" NPT Female

* In accordance with ASSE 1070 and ASSE 1069
 ** Inlet Supply Pressure Variation Up to 20%
 ⇨ The wetted surface of these valves contacted by consumable water contains less than 0.25% of lead by weight in conformance with national lead free law.

PRESSURE DROP PSID (kPa)	Cv	5 (34)	10 (69)	15 (103)	20 (138)	30 (207)	45 (310)	60 (414)
FLOW RATE GPM (LPM)	1.8	4 (15)	5.7 (21.4)	7 (26.2)	8 (30.2)	9.8 (37)	12 (45.4)	13.8 (52.4)

GUIDE SPECIFICATION:

Thermostatic Mixing Valve shall be IAPMO lab certified per ASSE and CSA standards. Valve shall contain a copper encapsulated, paraffin-based thermal actuator. Valve shall be a solid brass body with a capacity of 12 GPM (45 LPM) AT 45 PSI (310 kPa) differential and a maximum operating pressure of 125 PSIG (862 kPa). Supply pressure variation shall be up to 20%. Valve shall have an adjustable outlet temperature range of 90°F-115°F (32°C-46°C), factory set at 105°F (41°C). Valve shall comply with ASSE 1069, ASSE 1070 and CSA B125.3 standards. Valve shall be Acorn model ST7069.

Acorn Controls assumes no responsibility for use of void or superseded data. © Copyright Acorn Controls, City of Industry, CA, Division of Acorn Engineering Company, a member of Morris Group International. Please visit www.acorneng.com or most current specifications.

Submission # **ST7069**
 Revised: 09/22/17

Certifications and Standards:



ASSE 1069
 ASSE 1070
 CSA B125.3



Est. 1954
ACORN ENGINEERING COMPANY
 Manufacturer of Engineered Products

Member of Morris Group International™

ACORN ENGINEERING COMPANY
 P.O. BOX 3527
 City of Industry, CA
 91744, U.S.A.
 Phone 800-488-8999
 626-336-4561
 Fax 626-961-2200
www.acorneng.com

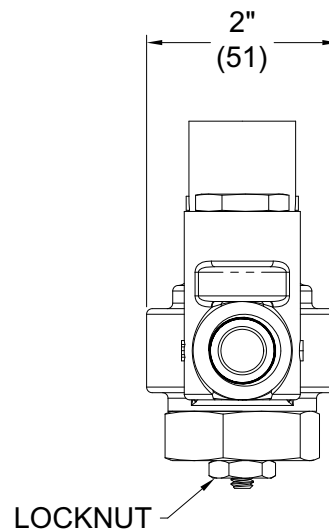
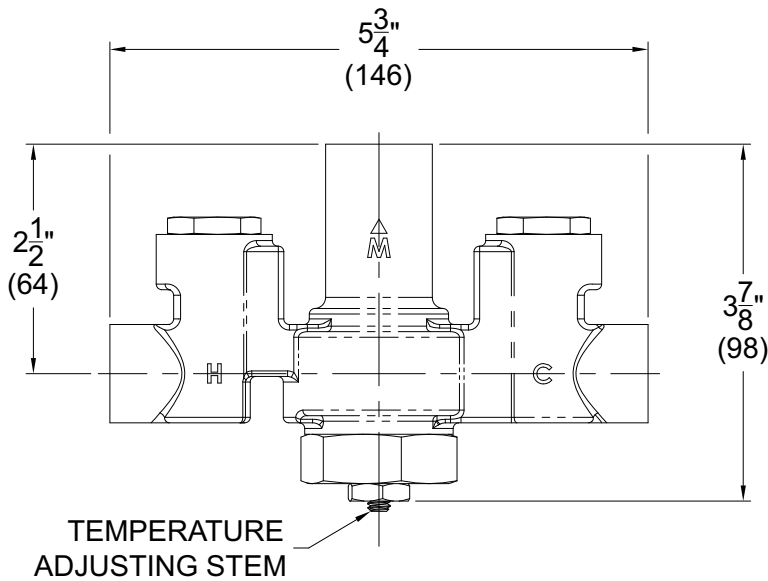
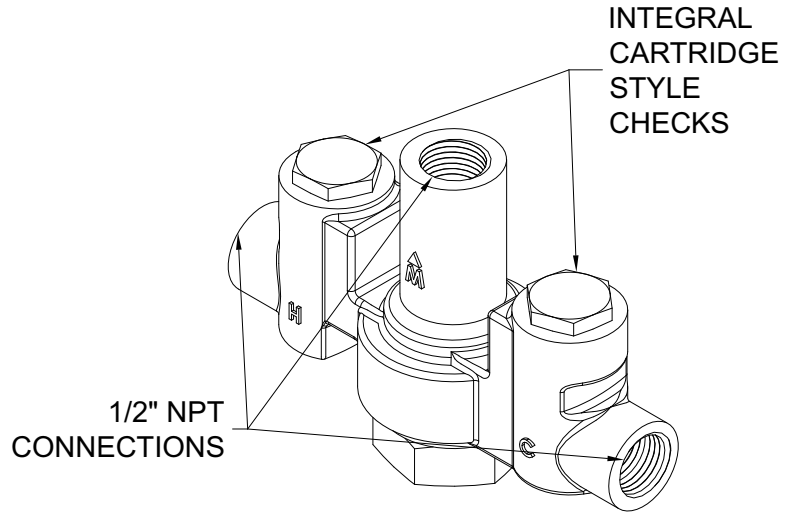
VALVE SELECTION:

- ST7069 Brass Valve Body With 1/2" NPT Connections

ACCESSORIES:

- BVS Ball Valve Shut-Off, Ball Valves Shipped Loose
- OTG Outlet Temperature Gauge

TECHNICAL DIMENSIONS:



ST7069 Revised: 09/22/17

Acorn Controls warrants that its products are free from defects in material or workmanship under normal use and service for a period of one year from date of shipment. Acorn's liability under this warranty shall be discharged solely by replacement or repair of defective material, provided Acorn is notified in writing within one year from date of shipment, F.O.B. City of Industry, California.

SELECTION SUMMARY & APPROVAL FOR MANUFACTURING

Model Number & Options _____ Quantity _____

Company _____

Contact _____ Title _____

Signature (Approval for Manufacturing) _____ Date _____



Est. 1954
ACORN ENGINEERING COMPANY
Manufacturer of Engineered Products
800-488-8999
 or 626-336-4561
www.acorneng.com