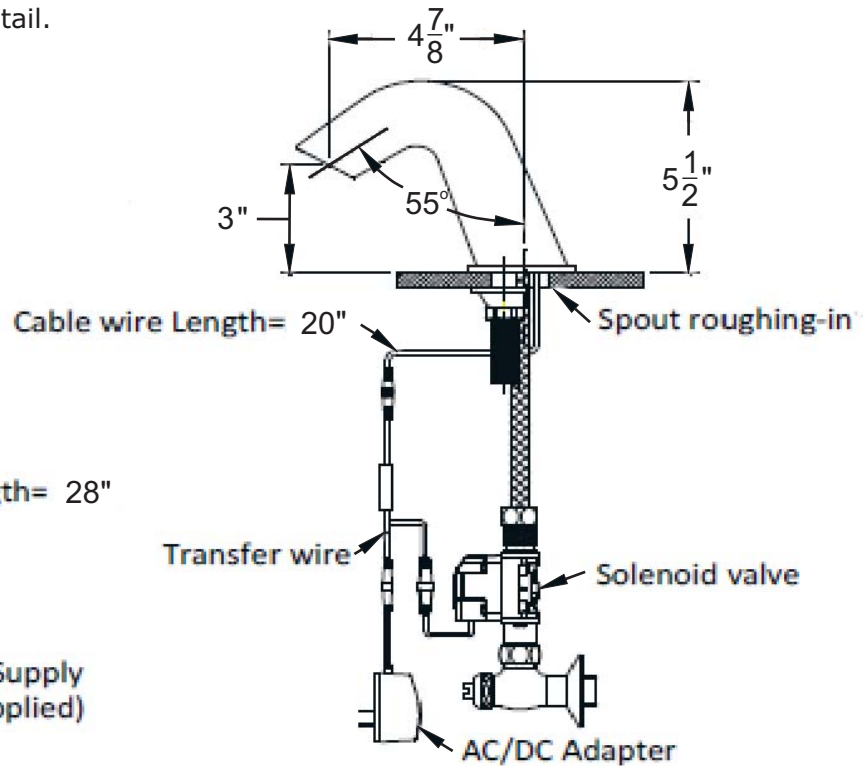
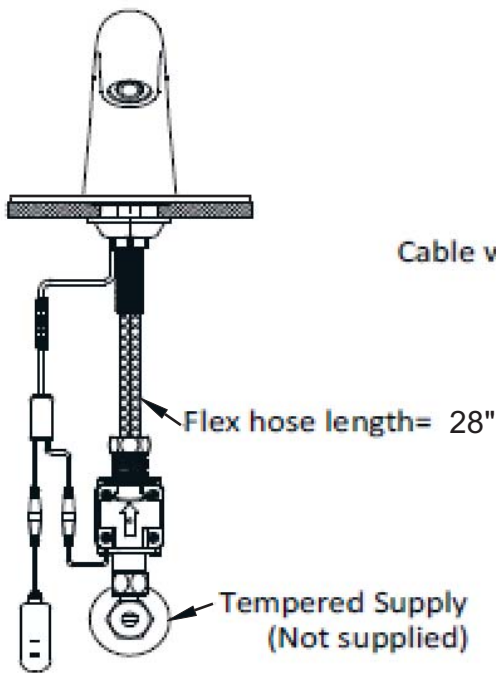




Accessory SW000-F60

Faucet with Baseplate

Single Temp Sensor Operated Faucet with Stainless Steel Spout and Stainless Steel Deck Plate. Includes Wiring Harness for both Battery Pack and Plug-in Transformer. Heavy duty Stainless Steel Spout polished to a #4 Satin Finish. Faucet and Plate are designed for 1-5/16" dia. single hole centered deck punching. Plate may be used to conceal three holes on 4" centerset or Faucet may be installed without Plate when a single hole exists. Plate measures 6-5/8" wide by 2-3/8" long. Includes mounting hardware to attach from below to deck, wall mounted Solenoid Valve Assembly with Checkstop Strainer, Wiring Harness and Holder for (6) AA batteries and Plug-in Transformer. Supply connection is 1/2" NPS. Meets NSF and lead-free standards and includes an Aerator with 0.5 gallon (1.9 liter) per minute Flow Control. Ships complete with installation detail.



Please visit www.acorneng.com for most current specifications.

⚠ WARNING: Cancer and Reproductive Harm - www.P65Warnings.ca.gov

