



Accessory SW000-F70

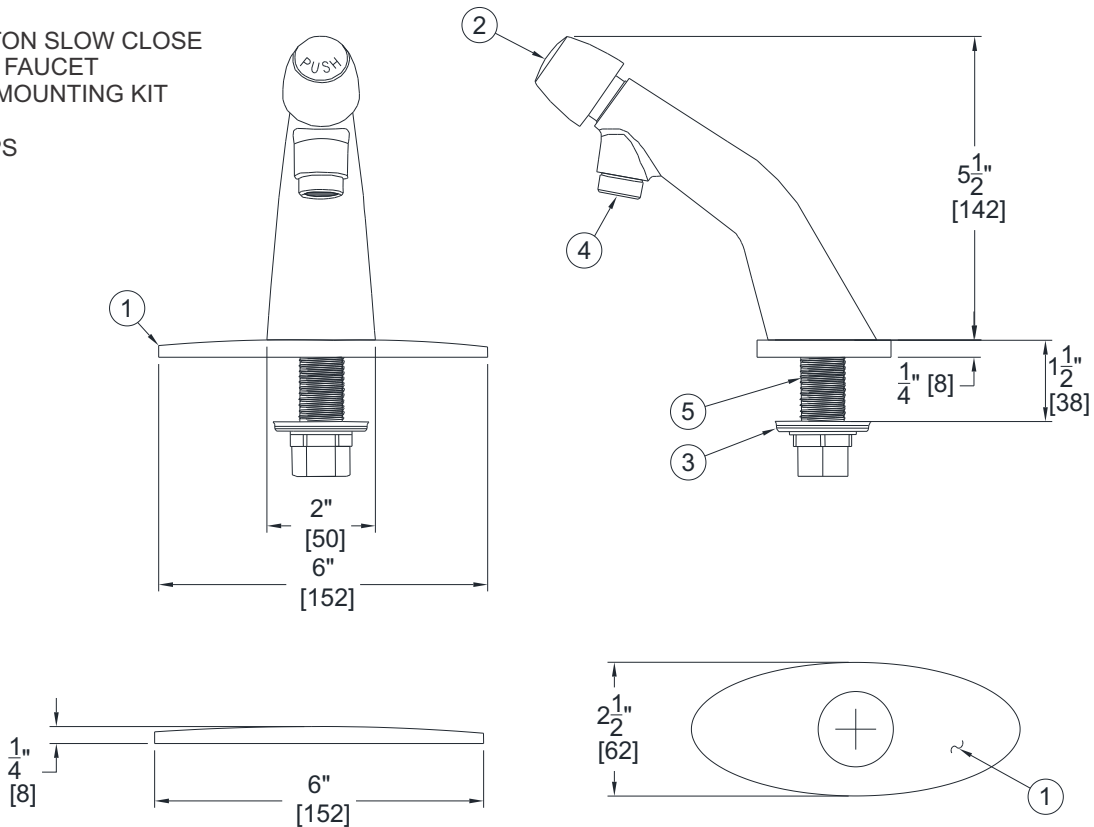
Pushbutton Metering Faucet with Baseplate

Single Temp Pushbutton Operated Faucet with Chrome Spout and a 6" Chrome Deck Plate. Faucet and Plate are designed for a 1-3/8" dia. single hole centered deck punching. Plate measures 6" wide by 2-1/2" long. Faucet may be installed without Plate when single hole exists. Supply connection is 1/2" NPS. Meets NSF and lead-free standards includes an Aerator with 0.5 gallon (1.9 liter) per minute Flow Control. Faucet has a minimum run time of 30 seconds when activated. Ships complete with installation details.



NOTES:

- 1. 6" PLATE
- 2. PUSHBUTTON SLOW CLOSE METERING FAUCET
- 3. LOCKNUT MOUNTING KIT
- 4. AERATOR
- 5. 1/2" - 14 NPS



Please visit www.acorneng.com for most current specifications.

⚠ WARNING: Cancer and Reproductive Harm - www.P65Warnings.ca.gov

