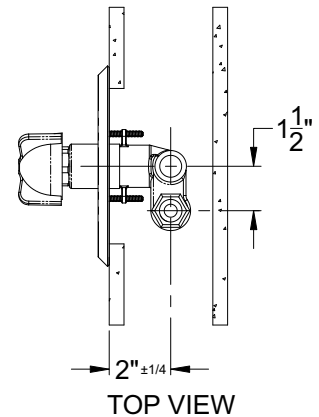
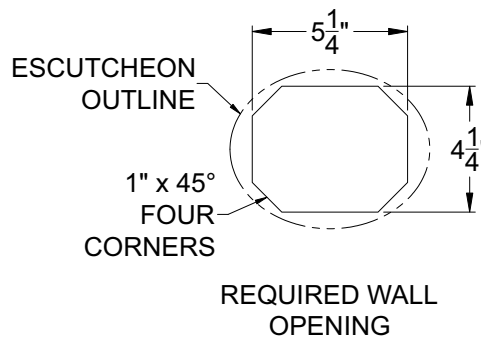
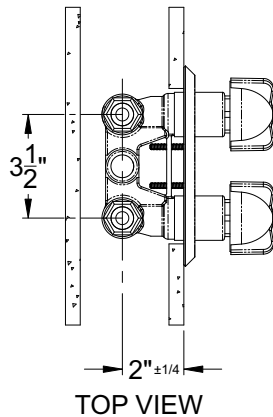
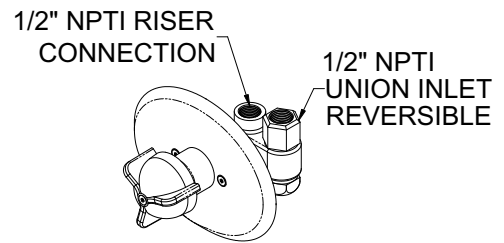
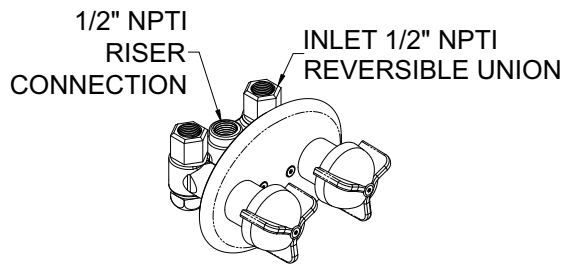




Type 1 & 5: Flo-Cloz



Type 1: Flo-Cloz, Hot & Cold

Two handle Flo-Cloz Hot and Cold mixing valve body is heavy cast bronze with all operating parts, including the seat contained in a replaceable cartridges. The compression mechanism closes with the line pressure, not against it. This feature allows less operating force while still achieving a drip tight closure. Exposed surfaces are either polished stainless steel or triple chrome-plated. All exposed fasteners are tamper-resistant. Individual check stops are optionally available.

Valve Specifications:

Minimum/ Maximum Pressure 30 / 125 PSI
Maximum Water Temperature 130° F / 54° C

Type 5: Flo-Cloz, Single Temp.

Single Temperature Flo-Cloz valves are identical in operation as the Hot and Cold Flo-Cloz with the exception that they deliver water at a single non-adjustable temperature. Like the Type 1 Hot and Cold Flo-Cloz, the valve body is of heavy cast bronze with a single replaceable cartridge which contains all operating parts. When specified, this valve should be backed up with a thermostatic controller at the water source. Check stops and a lever handle are optionally available with this valve. When lever handle is selected and installed properly valve is ADA compliant.

Valve Specifications:

Minimum/ Maximum Pressure 30 / 125 PSI
Maximum Water Temperature 130° F / 54° C

Please visit www.acorneng.com for most current specifications.

WARNING: Cancer and Reproductive Harm - www.P65Warnings.ca.gov

TYPE 1 & 5

Revised: 08/29/18