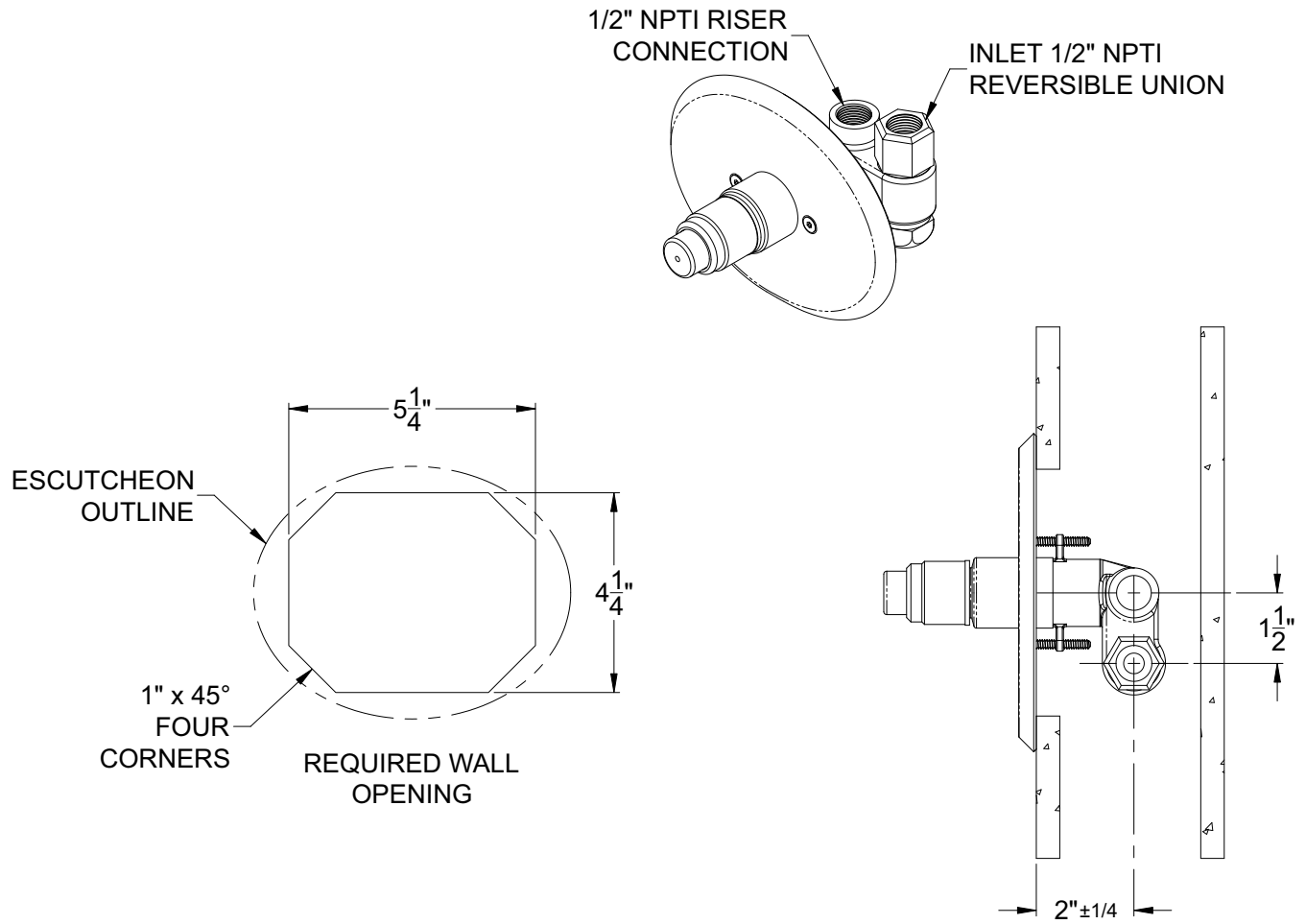




Type 7: Meter-Matic Valve



Valve Specifications:

Minimum/ Maximum Pressure	30/ 80 PSI
Maximum Water temperature	130° F / 54° C

Type 7: Meter-Matic

Meter-Matic cartridge valve body is heavy bronze, is pushbutton operated and can be adjusted to deliver water from 5 to 60 seconds, before automatically shutting off. The cartridge contains all operating parts including the seat and timing mechanism which is a sealed silicone fluid. The timing mechanism remains separate from the water, hence the valve is reliable in any water condition and has proven maintenance free in hundreds of applications. When specified, these valves should be backed up with a thermostatic controller at the water source. Exposed surfaces are polished stainless steel or chrome plated. Exposed fasteners are tamper-resistant. A check stop is optionally available.

Please visit www.acorneng.com for most current specifications.

WARNING: Cancer and Reproductive Harm - www.P65Warnings.ca.gov

TYPE 7

Revised: 08/29/18