

**ROUGH-IN FOR THE FOLLOWING:**

- A- TO ACCESS SUPPLY AND WASTE, LIFT AND REMOVE FLOOR (14) BY DISENGAGING SPRING LOADED HINGES. REMOVE FRONT ACCESS PANEL (12) BY REMOVING VANDAL RESISTANT FASTENERS (13) AND LIFTING UP PANEL TO REMOVE.
- B- FIXTURE WASTE: (1) 1-1/2" OD P-TRAP OUTLET PROVIDED  
 SUPPLY: (2) SUPPLY INLET FOR FIXTURE 1/2" NPS HOSE END CONNECTION.  
 ANCHORING: (3) 3/16" HANGER BRACKET HOLE ANCHOR OPENING, (4) 3/8" FLANGE ANCHORING  
 NOTE: ALL WALL ANCHORS AND ANCHORING HARDWARE ARE PROVIDED BY THE INSTALLER
- C- AFTER LOCATING AND INSTALLING WALL ANCHORS, INSTALL HANGER BRACKET (5) INTO FINISHED WALL AND POSITION FIXTURE TO ENGAGE HANGER BRACKET (5) PRIOR TO FIXING UNIT TO WALL.

- D- APPLY PLUMBERS PUTTY TO UNDERSIDE OF GRID STRAINER (6) AND THREAD THRU BASIN DRAIN FROM TOPSIDE. FROM UNDERSIDE OF BASIN, THREAD RUBBER GASKET (7) BEVEL SIDE TOWARDS BASIN, FIBER WASHER (8) AND FLANGE NUT (9).
- E- ASSEMBLE TAILPIECE (10) TO GRID STRAINER (6) AND ASSEMBLE P-TRAP (11) MAKING UP WASTE CONNECTIONS AS REQUIRED.
- F- TEST OPERATION TO COMPLETE THE INSTALLATION.
- G- ADJUST SPRAY PATTERN BY ROTATING THE ADJUSTABLE INSERT WITH A 1/8" ALLEN WRENCH (15) (ACCESS THROUGH THE SHOWER NOZZLE ORIFICE (16))

**WARNING:**

PRIOR TO COMPLETING INSTALLATION SUPPLY LINES MUST BE FLUSHED OF ALL FOREIGN MATERIAL SUCH AS PIPE DOPE, CHIPS SOLDER ETC. VALVE MUST BE DRAINED PRIOR TO BEING SUBJECTED TO FREEZING TEMPERATURES.



ACORN ENGINEERING COMPANY  
 P.O. BOX 3527 Industry, CA 91744  
 15125 Proctor Ave Industry, CA 91746  
 (626) 336-4561 FAX (626) 961-2200

TITLE **WUDU WASHBASINS, WD2**

MANUFACTURE DATE

**MAY 2011  
 TO PRESENT**

DATE ISSUED

**05/19/11**

DATE REVISED

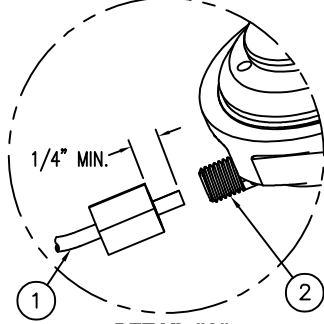
**07/25/22**

DRAWING NUMBER

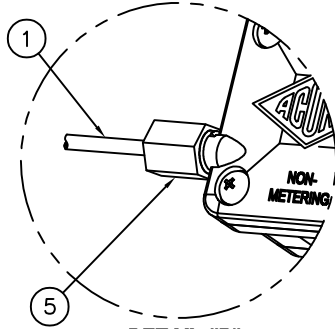
**9912-002-001**



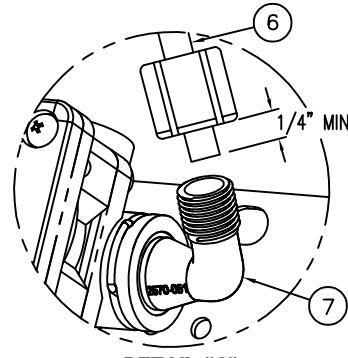
SIDE OUTLET SHOWN



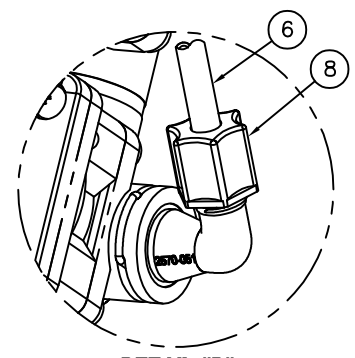
DETAIL "A"



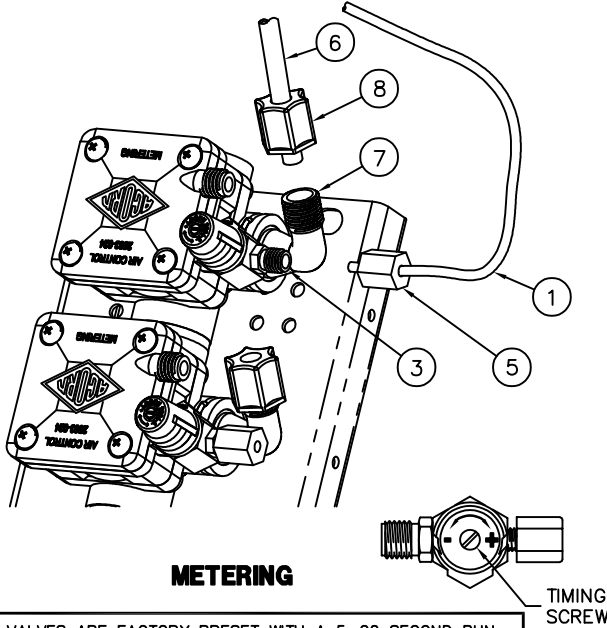
DETAIL "B"



DETAIL "C"

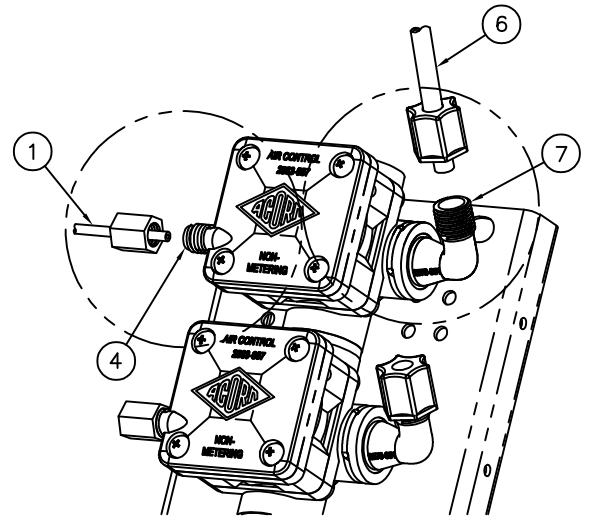


DETAIL "D"



METERING

TIMING SCREW



NON-METERING  
DIRECT ACTING

LAVATORY VALVES ARE FACTORY PRESET WITH A 5-20 SECOND RUN TIME. THIS WILL PROVIDE LESS THAN 1/4 GALLON (1 LITER) PER CYCLE. IF IT IS NOTED THAT VALVES ARE RUNNING LONGER THAN THIS MAXIMUM RECOMMENDED CYCLE TIME PLEASE FOLLOW THESE INSTRUCTIONS TO CORRECT THE CYCLE TIME. WHEN SET, FAUCET SHOULD NOT PRODUCE MORE THAN 1/4 GALLON (1 LITER) PER CYCLE.

TIMING IS ADJUSTABLE FROM 5 TO 60 SECONDS AND IS ACCOMPLISHED BY ROTATING TIMING SCREW. TURNING THE SCREW CLOCKWISE INCREASES TIMING WHILE COUNTERCLOCKWISE DECREASES TIMING.

**INSTALLATION INSTRUCTIONS:**

- A- MOUNT FIXTURE IN ACCORDANCE TO MANUFACTURER'S INSTALLATION INSTRUCTIONS.
- B- ASSEMBLE SPOUTS AND PUSHBUTTONS TO FIXTURE.
- C- CONNECT 1/8" O.D. POLYETHYLENE AIR LINE (1) TO PUSHBUTTON (2), AND VALVE TIMER ASSEMBLY (3) SEE DETAIL "A". NOTE: FOR DIRECT ACTING: ASSEMBLE TO AIR PORT (4), SEE DETAIL "B". HAND TIGHTEN FERRULE NUT (5) PROVIDED.
- D- CONNECT 1/4" O.D. POLYETHYLENE WATER LINES (6) TO VALVE ASSEMBLY ELBOW (7) SEE DETAILS "C", AND "D". HAND TIGHTEN FERRULE NUT (8) PROVIDED.
- E- AFTER THOROUGHLY FLUSHING SUPPLY LINES MAKE UP CONNECTIONS TO VALVE ASSEMBLY INLET(S) 1/2" NPTE OR 1/2" NPS FLEX HOSE AS REQUIRED.

NOTE:

- 1) ALL TUBING SHOULD BE CUT SQUARE AND BE FREE OF BURRS OR DEFORMITIES TO ENSURE A WATER TIGHT CONNECTION.
- 2) EXTEND TUBING AT LEAST 1/4" BEYOND FERRULE NUT BEFORE INSERTING TUBING INTO CONNECTION OPENING BEFORE TIGHTENING.
- 3) TUBING SHOULD BE FREE OF KINKS FOR PROPER OPERATION
- 4) MAXIMUM RECOMMENDED WORKING WATER PRESSURE IS 100 PSI; TEMPERATURE IS 130° F; OUTLET TEMPERATURE IS RECOMMENDED AT A MAXIMUM OF 105° F.

WARNING:

PRIOR TO MAKING INSTALLATION, SUPPLY LINES MUST BE FLUSHED OF ALL FOREIGN MATERIAL SUCH AS PIPE DOPE, CHIPS, SOLDER, ETC. VALVE MUST BE DRAINED PRIOR TO BEING SUBJECTED TO FREEZING TEMPERATURES. MAXIMUM RECOMMENDED OUTLET WATER TEMPERATURE IS 105° F.

**REFERENCE DRAWINGS**

ASSEMBLIES		DRAWING
VALVE BODY		9955-006-003
CHECKSTOP		9956-040-003
FIXTURE TRIM		9957-051-001
FIXTURE TRIM -DMS		9957-055-001
AIR-CONTROL SERVOMOTORS		
METERING		9955-000-003
NON-METERING		9955-001-003

MORRIS GROUP INTL  
P.O. BOX 3527 Industry, CA 91744  
MORRIS GROUP INTERNATIONAL  
15125 Proctor Ave Industry, CA 91746  
(626) 336-4561 FAX (626) 961-2200

TITLE <b>HAND OPERATED, LAVATORY AIR-CONTROL VALVE CONNECTIONS</b>		
MANUFACTURE DATE	DATE ISSUED	DRAWING NUMBER
<b>JANUARY 1999</b>	<b>04/22/10</b>	<b>9905-006-001</b>
<b>TO PRESENT</b>	DATE REVISED	
	<b>11/18/15</b>	