

Model S0340-CS1

Pedestal Mounted Eye/Face Wash, Stainless Steel Bowl with a "Clam-Shell" Stainless Steel Cover



SPECIFICATIONS:

Model S0340-CS1 is a pedestal mounted eye/face wash, with a stainless steel bowl, a "clam-shell" stainless steel cover, ABS plastic eye/face wash spray heads, an inline strainer and a stay-open 1/2" ball valve with a push handle.

STANDARD EQUIPMENT:

Spray Head Assembly: ABS yellow plastic eye/face wash heads with integral flip dust covers, internal flow controls and filters to remove debris from the water. An anti-microbial agent is molded into the ABS material, providing integrated protection.

Valve: 1/2" NPT chrome plated brass stay-open ball valve with a stainless steel push handle and a 50 mesh inline strainer.

Water Supply: 1/2" NPT female threaded, chrome plated brass inlet.

Waste: 1-1/4" NPT female outlet.

Bowl: Stainless steel, 11-3/4" diameter bowl. The stainless steel "clam-shell" cover rises automatically when the push handle is activated. Conversely, the cover closes when the handle is returned to the off position.

Piping & Mounting: Schedule 40 galvanized steel piping and a 9-1/8" diameter cast iron floor flange with a yellow powder coated finish.

Universal Sign: ANSI compliant, vertical identification sign.

Weekly Test Tag: A waterproof test card to record the date and inspector's name for weekly functional testing of the unit.

Model: S0340-CS1



OPTIONAL ACCESSORIES:

Additional costs may be incurred

- BF Barrier free, handicap accessible
- ET71-1-BVS-OTG Thermostatic mixing valve is ASSE Listed per the ASSE 1071 standard. The tepid output water complies with ANSI Z358.1 standard. Valve includes Ball Valve Shut-offs and Outlet Temperature Gauge
- FLW2 Flow switch, single pole
- FPV Freeze protection valve
- HFC Hand foot control
- MS1 MAP (magnetically actuated proximity) switch, for one (1) actuator
- SDC Stainless steel dust covers
- SPV Scald protection valve
- SV2 Stainless steel ball valve
- "1" Auxiliary hand-held drench hose with a self-closing valve (Use model S0341-CS1)



Member of
U.S. Green
Building Council



Recyclable
Product

Acorn Safety assumes no responsibility for use of void or superseded data. © Copyright Acorn Safety®, City of Industry, CA, Division of Acorn Engineering Company®, Member of Morris Group International™. Please visit www.acorneng.com for most current specifications.

Product carries the following certifications:



Submittal # **S0340-CS1**
[EW] Revised: 07/20/17

Test rating conditions are compliant to ANSI Z358.1



Division of
Acorn Engineering Company®,
Member of
Morris Group International™

ACORN SAFETY

P.O. Box 3527
City of Industry, CA
91744 U.S.A.

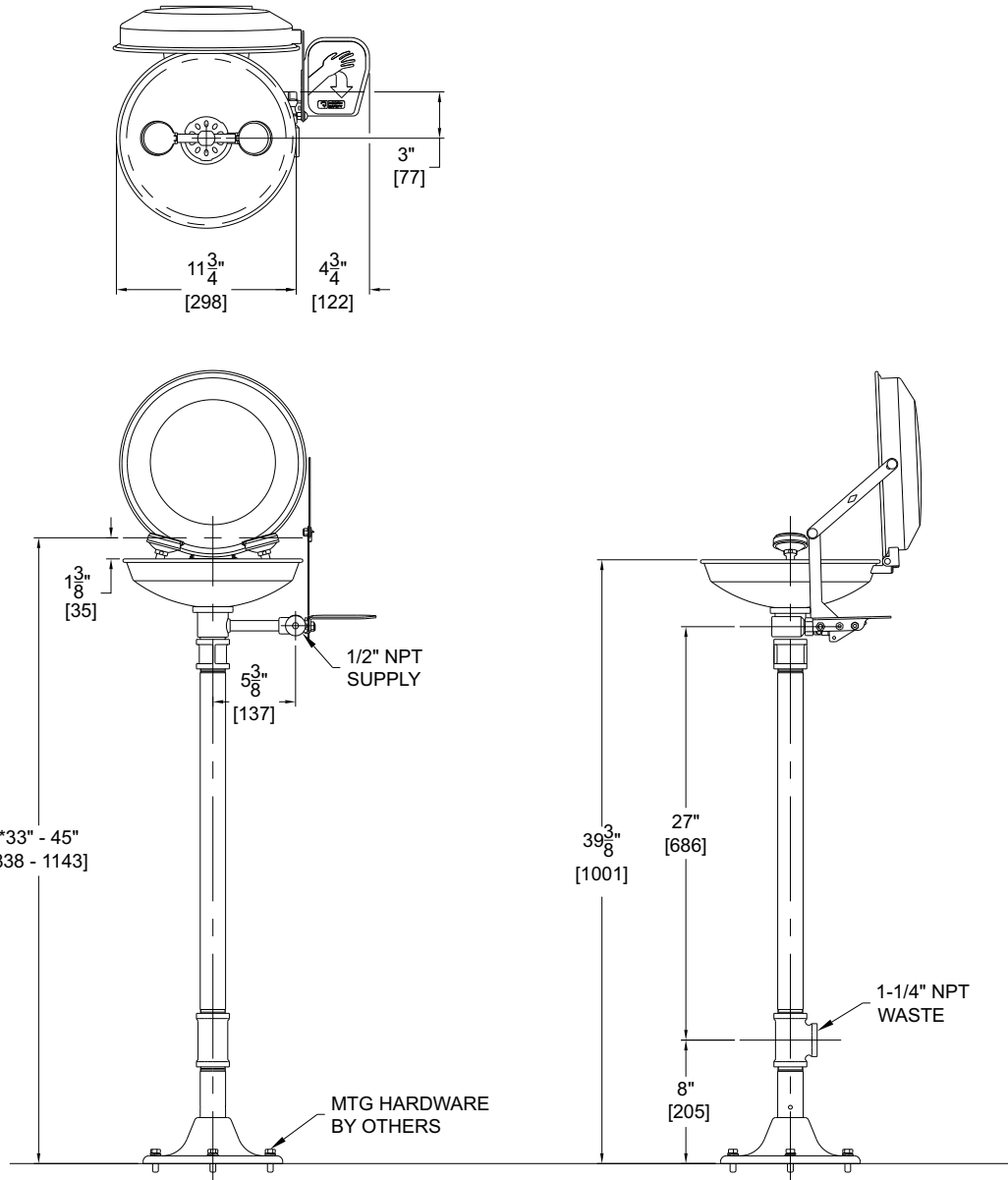
Phone 800-591-9372
626-855-4804

www.acorneng.com

TECHNICAL DIMENSIONS

All dimensions are subject to manufacturer's tolerance of plus or minus 1/2" nominal and subject to change without notice. Acorn Safety® assumes no responsibility for use of void or superseded data. Dimensions may change with the addition of optional accessories. © Acorn Safety®, A Division of Acorn Engineering Company®, Member of Morris Group International™. Please visit www.acorneng.com for most current specifications.

☐ **Model S0340-CS1** : Pedestal Mounted Eye/Face Wash, Stainless Steel Bowl with a "Clam-Shell" Stainless Steel Cover



GENERAL NOTES:

1. ALL DIMENSIONS ARE IN INCHES [MM].
- *2. ANSI Z358.1 REQUIRES NOZZLES TO BE MOUNTED BETWEEN 33" - 45" [838 -1143] ABOVE THE FINISHED FLOOR.

⚠ WARNING: Cancer and Reproductive Harm - www.P65Warnings.ca.gov

S0340-CS1 Revised: 07/20/17

Acorn Safety warrants that its products are free from defects in material or workmanship under normal use and service for a period of one year from date of shipment. Acorn's liability under this warranty shall be discharged solely by replacement or repair of defective material, provided Acorn is notified in writing within one year from date of shipment, F.O.B. Industry, California.

SELECTION SUMMARY & APPROVAL FOR MANUFACTURING

Model Number & Options _____ Quantity _____

Company _____

Contact _____ Title _____

Signature (Approval for Manufacturing) _____ Date _____



800-591-9372
or 626-855-4804
www.acorneng.com