

# Model S0708

Deck Mounted, Stay-Open Eyewash & Drench Hose



## SPECIFICATIONS:

Model S0708 is a deck mounted eyewash and body drench hose with ABS plastic eyewash spray heads, a stay-open 1/2" ball valve with a push handle and an eight foot reinforced PVC hose.

**NOTE:**  
Unit complies with the ANSI Z358.1 Standard for both an eyewash and drench hose.

## STANDARD EQUIPMENT:

**Spray Head Assembly:** ABS yellow plastic eyewash heads with integral flip dust covers and internal flow controls. An anti-microbial agent is molded into the ABS material, providing integrated protection.

**Valve:** 1/2" NPT chrome plated brass stay-open ball valve with a stainless steel push handle.

**Hose:** An 8 foot yellow PVC hose with a working maximum pressure of 300 psi.

**Mounting:** Countertop mounting with a deck flange that has a locator guide to position the handle forward.

**Water Supply:** 1/2" NPT female threaded, chrome plated brass inlet.

**Universal Sign:** ANSI compliant, vertical identification sign.

**Weekly Test Tag:** A waterproof test card to record the date and inspector's name for weekly functional testing of the unit.

Model: S0708



## OPTIONAL ACCESSORIES:

Additional costs may be incurred

- BFP Back flow preventer, double check valve with vent to atmosphere
- ET71-1-BVS-OTG Thermostatic mixing valve is ASSE Listed per the ASSE 1071 standard. The tepid output water complies with ANSI Z358.1 standard. Valve includes Ball Valve Shut-offs, Outlet Temperature Gauge
- HG Under counter hose guide to prevent the hose from tangling
- IWH1 Instantaneous water heater - 208 volts
- IWH2 Instantaneous water heater - 240 volts
- SDC Stainless steel dust covers
- SSH 8 foot flexible stainless steel hose



Member of  
U.S. Green  
Building Council

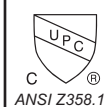


Recyclable  
Product

Acorn Safety assumes no responsibility for use of void or superseded data. © Copyright Acorn Safety®, City of Industry, CA, Division of Acorn Engineering Company®, Member of Morris Group International™. Please visit [www.acorneng.com](http://www.acorneng.com) for most current specifications.

Submital # **S0708**  
[DH] Revised: 08/24/17

Product complies to the following standards:



Division of  
Acorn Engineering Company®,  
Member of  
Morris Group International™

**ACORN SAFETY**

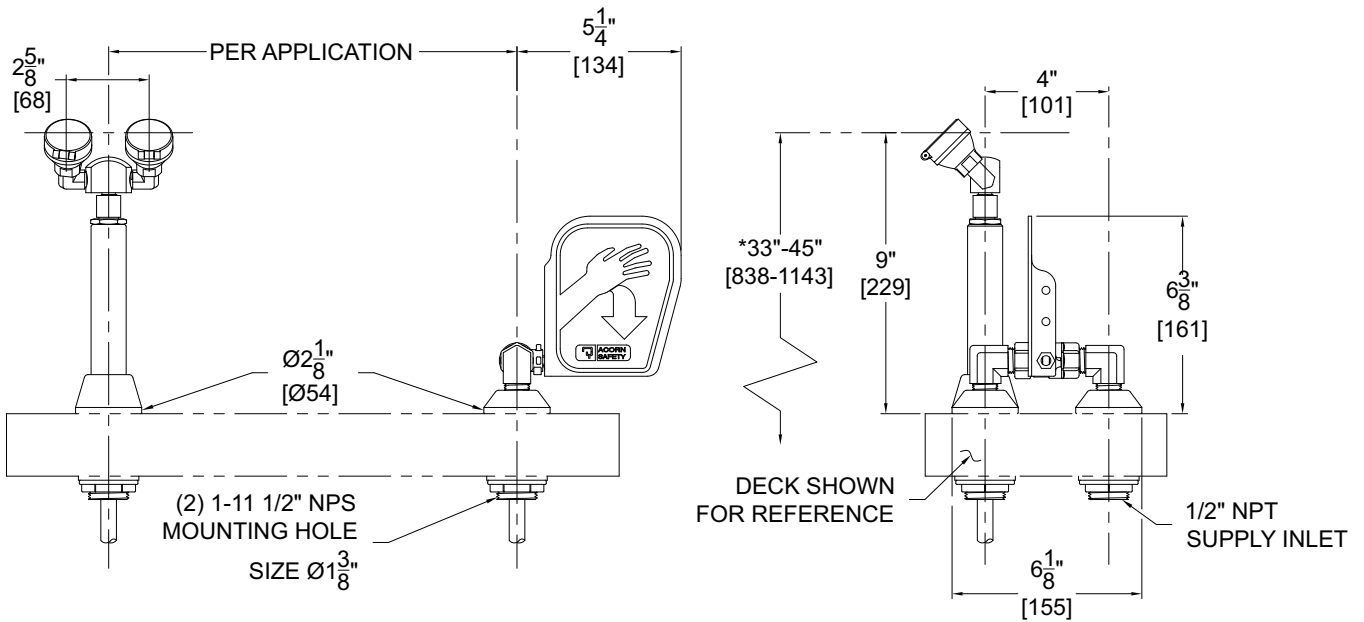
P.O. Box 3527  
City of Industry, CA  
91744 U.S.A.  
Phone 800-591-9372  
626-855-4804

[www.acorneng.com](http://www.acorneng.com)

# TECHNICAL DIMENSIONS

All dimensions are subject to manufacturer's tolerance of plus or minus 1/2" nominal and subject to change without notice. Acorn Safety® assumes no responsibility for use of void or superseded data. Dimensions may change with the addition of optional accessories. © Acorn Safety®, A Division of Acorn Engineering Company®, Member of Morris Group International™. Please visit [www.acorneng.com](http://www.acorneng.com) for most current specifications.

**Model S0708** : Deck Mounted, Stay-Open Eyewash & Drench Hose



- GENERAL NOTES:**
- 1. ALL DIMENSIONS ARE IN INCHES [MM].
  - \*2. ANSI Z358.1 REQUIRES NOZZLES TO BE BETWEEN 33"-45" [838-1143] ABOVE THE FINISHED FLOOR.

**⚠ WARNING:** Cancer and Reproductive Harm - [www.P65Warnings.ca.gov](http://www.P65Warnings.ca.gov)

**S0708** Revised: 08/24/17

Acorn Safety warrants that its products are free from defects in material or workmanship under normal use and service for a period of one year from date of shipment. Acorn's liability under this warranty shall be discharged solely by replacement or repair of defective material, provided Acorn is notified in writing within one year from date of shipment, F.O.B. Industry, California.

SELECTION SUMMARY & APPROVAL FOR MANUFACTURING

Model Number & Options \_\_\_\_\_ Quantity \_\_\_\_\_

Company \_\_\_\_\_

Contact \_\_\_\_\_ Title \_\_\_\_\_

Signature (Approval for Manufacturing) \_\_\_\_\_ Date \_\_\_\_\_



**800-591-9372**  
or 626-855-4804  
[www.acorneng.com](http://www.acorneng.com)