

Model S2100

Vertically Mounted Emergency Shower,
Stainless Steel Showerhead



SPECIFICATIONS:

Model S2100 is a vertically mounted emergency shower with a stainless steel showerhead and a 1" stay-open ball valve with a pull rod.

STANDARD EQUIPMENT:

Showerhead: Stainless steel, 8" diameter showerhead with a 20 gpm flow regulator.

Valve: 1" rough chrome plated brass stay-open ball valve. Unit is provided with a stainless steel actuator arm and a 29" stainless steel pull rod.

Water Supply: 1" NPT female threaded brass inlet.

Universal Sign: ANSI compliant, vertical identification sign.

Weekly Test Tag: A waterproof test card to record the date and inspector's name for weekly functional testing of the unit.

Model: S2100



OPTIONAL ACCESSORIES:

Additional costs may be incurred

- AL2 Electric alarm with flashing light and horn
- ET71-2-BVS-OTG Thermostatic mixing valve is ASSE Listed per the ASSE 1071 standard. The tepid output water complies with ANSI Z358.1 standard. Valve includes Ball Valve Shut-offs, Outlet Temperature Gauge
- FLW1 Flow switch, single pole
- MC2 Modesty curtain for vertical showers
- MS1 MAP (magnetically actuated proximity) switch, for one (1) actuator
- SV1 1" stainless steel ball valve



Member of
U.S. Green
Building Council



Recyclable
Product

Acorn Safety assumes no responsibility for use of void or superseded data. © Copyright Acorn Safety®, City of Industry, CA, Division of Acorn Engineering Company®, Member of Morris Group International™. Please visit www.acorneng.com for most current specifications.

Submittal # **S2100**
[SHR] Date: 07/24/17

Product carries the following certifications:



Test rating conditions are compliant to ANSI Z358.1



Division of
Acorn Engineering Company®,
Member of
Morris Group International™

ACORN SAFETY

P.O. Box 3527
City of Industry, CA
91744 U.S.A.

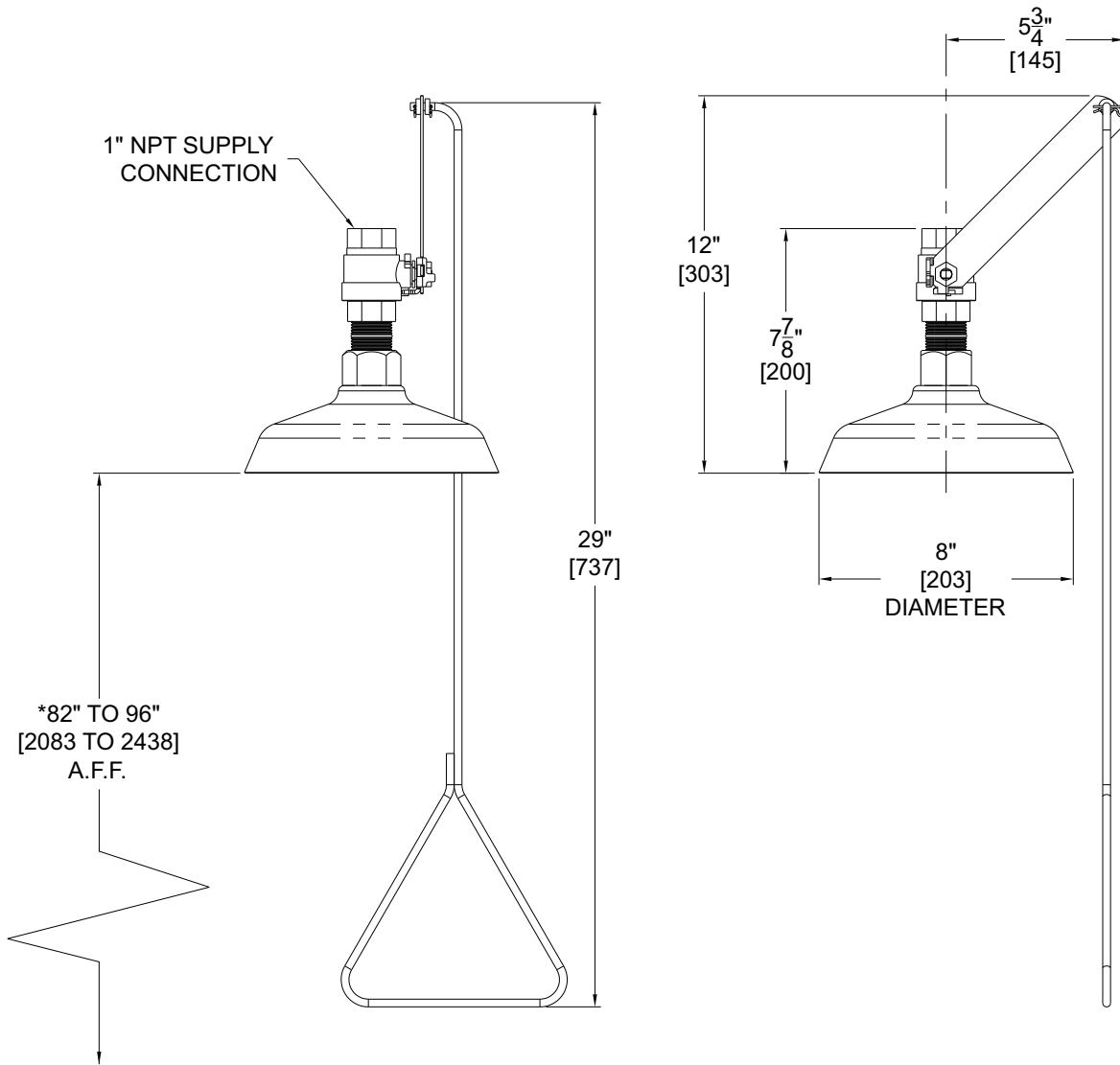
Phone 800-591-9372
626-855-4804

www.acorneng.com

TECHNICAL DIMENSIONS

All dimensions are subject to manufacturer's tolerance of plus or minus 1/2" nominal and subject to change without notice. Acorn Safety® assumes no responsibility for use of void or superseded data. Dimensions may change with the addition of optional accessories. © Acorn Safety®, A Division of Acorn Engineering Company®, Member of Morris Group International™. Please visit www.acorneng.com for most current specifications.

Model S2100 : Vertically Mounted Emergency Shower, Stainless Steel Showerhead



GENERAL NOTES:

1. ALL DIMENSIONS ARE IN INCHES [MM].
- *2. ANSI Z358.1 REQUIRES THE SHOWER HEAD TO BE MOUNTED BETWEEN 82" - 96" [2083 - 2438]. ABOVE THE FINISHED FLOOR WITH A 16" [406] MINIMUM RADIUS UNOBSTRUCTED.
3. ANSI Z358.1 REQUIRES PULL ROD TO BE MOUNTED NO MORE THAN 69" [1752] FROM THE FINISHED FLOOR.

⚠ WARNING: Cancer and Reproductive Harm - www.P65Warnings.ca.gov

S2100 Date: 07/24/17

Acorn Safety warrants that its products are free from defects in material or workmanship under normal use and service for a period of one year from date of shipment. Acorn's liability under this warranty shall be discharged solely by replacement or repair of defective material, provided Acorn is notified in writing within one year from date of shipment, F.O.B. Industry, California.

SELECTION SUMMARY & APPROVAL FOR MANUFACTURING

Model Number & Options _____ Quantity _____

Company _____

Contact _____ Title _____

Signature (Approval for Manufacturing) _____ Date _____



800-591-9372
or 626-855-4804
www.acorneng.com