

Model S2340-BF

Barrier Free, Combination Station, Stainless Steel Bowl Eye/Face Wash and Showerhead



SPECIFICATIONS:

Model S2340-BF is a barrier free, pedestal mounted combination station with an eye/face wash, with a stainless steel bowl, ABS plastic eye/face wash spray heads, an inline strainer and a stay-open 1/2" ball valve with a push handle and a shower with a stainless steel showerhead and a 1" rough chrome plated brass stay-open ball valve with a 48" pull rod.

Note: When installed at the appropriate height, Unit may comply with some but not all requirements for ADA.

STANDARD EQUIPMENT:

Showerhead: Stainless steel, 8" diameter showerhead with a 20 gpm flow regulator.

Shower Valve: 1" NPT rough chrome plated brass stay-open ball valve. Unit is provided with a stainless steel actuator arm and a 48" stainless steel pull rod.

Eye/Face Wash Bowl: Stainless steel, 11-3/4" diameter bowl.

Spray Head Assembly: ABS yellow plastic eye/face wash heads with integral flip dust covers, internal flow controls and filters to remove debris from the water. An anti-microbial agent is molded into the ABS material, providing integrated protection..

Eye/Face Wash Valve: 1/2" NPT chrome plated brass stay-open ball valve with a stainless steel push handle and a 50 mesh inline strainer.

Water Supply: 1-1/4" NPT female threaded side or top inlet.

Waste: 1-1/4" NPT female outlet.

Piping & Mounting: Schedule 40 galvanized steel piping and a 9-1/8" diameter cast iron floor flange with a yellow powder coated finish.

Universal Sign: ANSI compliant, vertical identification sign.

Weekly Test Tag: A waterproof test card to record the date and inspector's name for weekly functional testing of the unit.

Model: S2340-BF



OPTIONAL ACCESSORIES:

Additional costs may be incurred

- AL2 Electric alarm with flashing light and horn
- AS All stainless steel
- CS1 Stainless steel "clam shell" cover
- ET71-2-BVS-OTG Thermostatic mixing valve is ASSE Listed per the ASSE 1071 standard. The tepid output water complies with ANSI Z358.1 standard. Valve includes Ball Valve Shut-offs, Outlet Temperature Gauge
- FLW1 Flow switch, single pole
- FPV Freeze protection valve (eye/face wash only)
- MC4 Modesty curtain for horizontal showers - barrier free
- MS1 MAP (magnetically actuated proximity) switch, for one (1) actuator
- MS2 MAP (magnetically actuated proximity) switches, for two (2) actuators
- SDC Stainless steel dust covers
- SPV Scald protection valve (eye/face wash only)
- SV1 Stainless steel 1" ball valve
- SV2 Stainless steel 1/2" ball valve
- "1" Auxiliary hand-held drench hose with a self-closing valve (Use model S2341-BF)



Member of
U.S. Green
Building Council



Recyclable
Product

Acorn Safety assumes no responsibility for use of void or superseded data. © Copyright Acorn Safety®, City of Industry, CA, Division of Acorn Engineering Company®, Member of Morris Group International™. Please visit www.acorneng.com for most current specifications.

Submittal # **S2340-BF**
[CMB] Date: 11/15/17

Product carries the following certifications:



Test rating conditions are compliant to ANSI Z358.1



Division of
Acorn Engineering Company™,
Member of
Morris Group International™

ACORN SAFETY

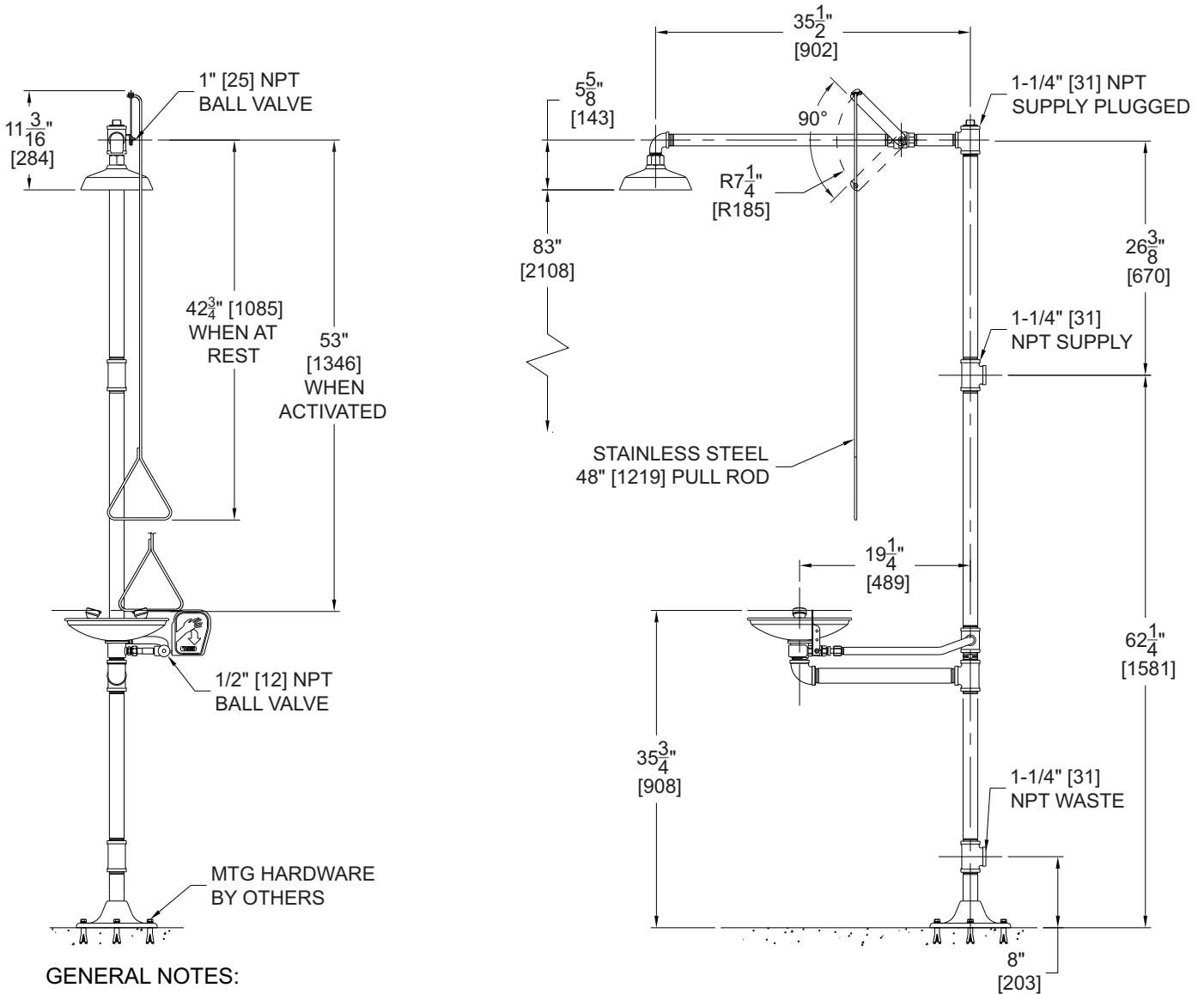
P.O. Box 3527
City of Industry, CA
91744 U.S.A.
Phone 800-591-9372
626-855-4804

www.acorneng.com

TECHNICAL DIMENSIONS

All dimensions are subject to manufactures tolerance of plus or minus 1/2" nominal and subject to change without notice. Acorn Safety® assumes no responsibility for use of void or superseded data. Dimensions may change with the addition of optional accessories. © Acorn Safety®, a Division of Acorn Engineering Company™, Member of Morris Group International™. Please visit www.acorneng.com for most current specifications.

□ **Model S2340-BF** : Barrier Free, Combination Station, Stainless Steel Bowl Eye/Face Wash and Showerhead



GENERAL NOTES:

1. ALL DIMENSIONS ARE INCHES [MM].
2. ANSI Z358.1 REQUIRES NOZZLES TO BE MOUNTED BETWEEN 33" - 45" [838 - 1143] ABOVE THE FINISHED FLOOR .
3. ANSI Z358.1 REQUIRES SHOWER HEAD TO BE MOUNTED BETWEEN 82" - 96" [2083 - 2438] ABOVE THE FINISHED FLOOR.

⚠ **WARNING:** Cancer and Reproductive Harm - www.P65Warnings.ca.gov

S2340-BF Date: 11/15/17

Acorn Safety warrants that its products are free from defects in material or workmanship under normal use and service for a period of one year from date of shipment. Acorn's liability under this warranty shall be discharged solely by replacement or repair of defective material, provided Acorn is notified in writing within one year from date of shipment, F.O.B. Industry, California.

SELECTION SUMMARY & APPROVAL FOR MANUFACTURING

Model Number & Options _____ Quantity _____

Company _____

Contact _____ Title _____

Signature (Approval for Manufacturing) _____ Date _____

800-591-9372
or 626-855-4804
www.acorneng.com