

# Model S2340-FPB

Combination Station, Stainless Steel Bowl  
Eye/Face Wash and Showerhead, Frost Proof Bury



## SPECIFICATIONS:

Model S2340-FPB\_\_ is a pedestal mounted combination station with an eye/face wash, with a stainless steel bowl, ABS plastic eye/face wash spray heads, an inline strainer and a shower with a stainless steel showerhead. Frost proof valves and supplies are buried below the frost line to protect the unit from freezing. The assembly is designed to drain completely, thus leaving no residual water in the unit and preventing it from freezing. Standard bury lengths are 24", 36" and 48". Specify the bury depth of the valves with the last two (2) digits of the model number (i.e. S2340-FPB24 for 24" buries).

## STANDARD EQUIPMENT:

**Showerhead:** Stainless steel, 8" diameter showerhead with a 20 gpm flow regulator.

**Shower Valve:** 1-1/4" NPT freeze-resistant valve and push handle. The valve and supply are buried below the frost line to protect the unit from freezing. The valve has a bleed outlet to prevent the accumulation of water within the unit, thus permitting it to drain after each use.

**Eye/Face Wash Bowl:** Stainless steel, 11-3/4" diameter bowl.

**Spray Head Assembly:** ABS yellow plastic eye/face wash heads with integral flip dust covers, internal flow controls and filters to remove debris from the water. An anti-microbial agent is molded into the ABS material, providing integrated protection.

**Eye/Face Wash Valve:** 3/4" NPT freeze-resistant valve and push handle. The valve and supply are buried below the frost line to protect the unit from freezing. The valve has a bleed outlet to prevent the accumulation of water within the unit, thus permitting it to drain after each use.

**Water Supplies:** 1-1/4" NPT (shower) and 3/4" NPT (eye/face wash) male threaded inlets.

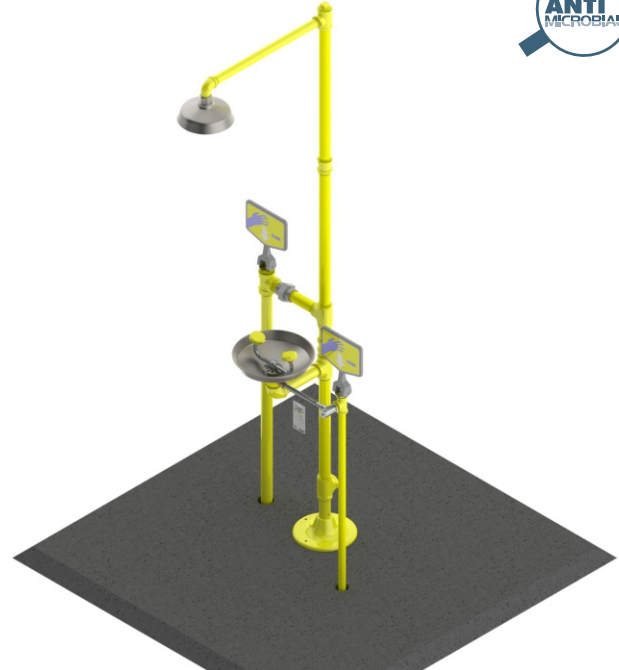
**Waste:** 1-1/4" NPT female outlet.

**Piping & Mounting:** Schedule 40 galvanized steel piping and a 9-1/8" diameter cast iron floor flange with a yellow powder coated finish.

**Universal Sign:** ANSI compliant, vertical identification sign.

**Weekly Test Tag:** A waterproof test card to record the date and inspector's name for weekly functional testing of the unit.

Model: S2340-FPB\_\_



## OPTIONAL ACCESSORIES:

Additional costs may be incurred

- MC1 Modesty curtain for horizontal showers
- MS1 MAP (magnetically actuated proximity) switch, for one (1) actuator
- MS2 MAP (magnetically actuated proximity) switches, for two (2) actuators
- SDC Stainless steel dust covers



Member of  
U.S. Green  
Building Council



Recyclable  
Product

Acorn Safety assumes no responsibility for use of void or superseded data. © Copyright Acorn Safety®, City of Industry, CA, Division of Acorn Engineering Company®, Member of Morris Group International™. Please visit [www.acorneng.com](http://www.acorneng.com) for most current specifications.

Submittal # **S2340-FPB**  
[CMB] Date: 08/18/17

Product carries the following certifications:



Test rating conditions are compliant to ANSI Z358.1



Division of  
Acorn Engineering Company®,  
Member of  
Morris Group International™

**ACORN SAFETY**

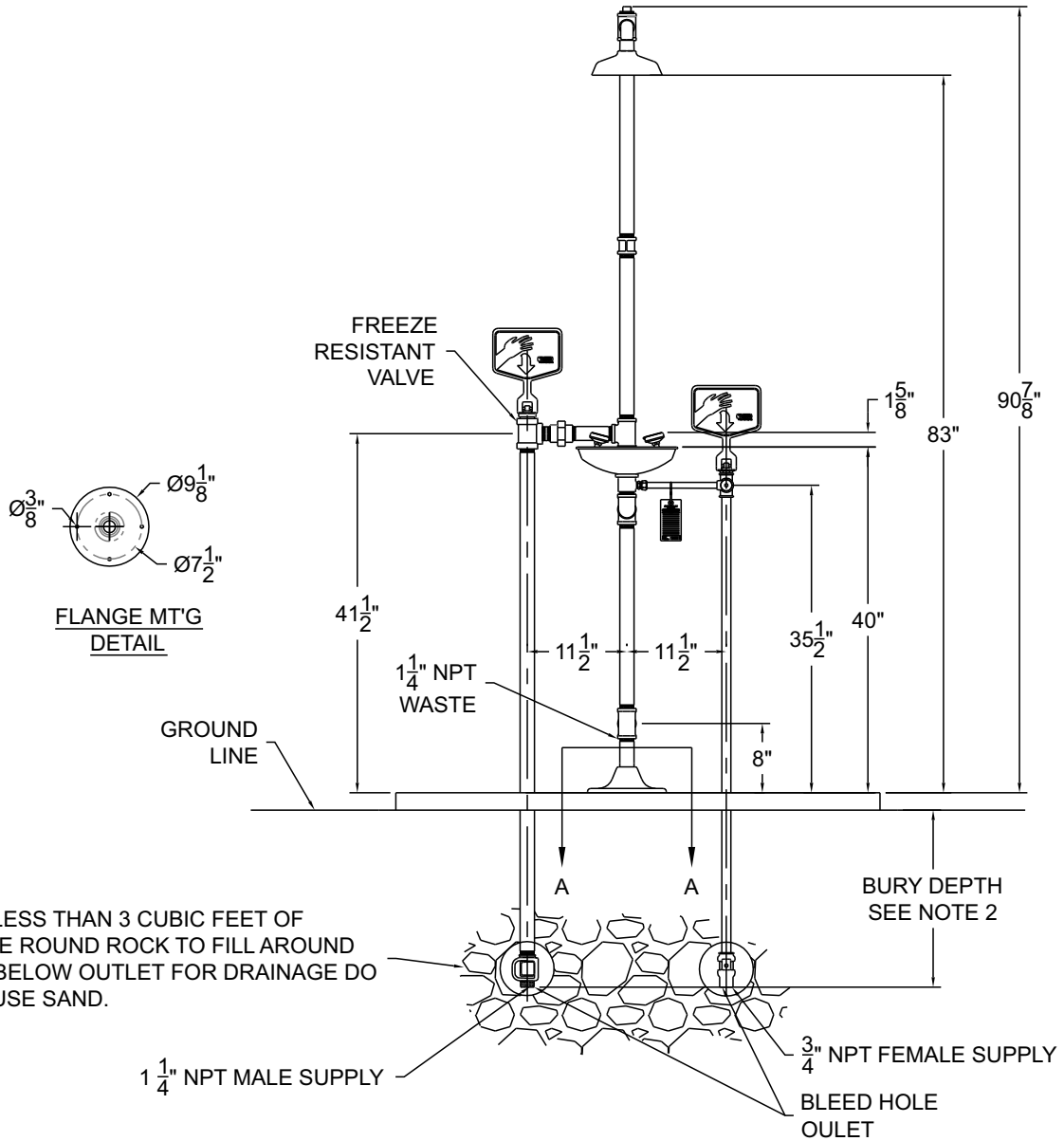
P.O. Box 3527  
City of Industry, CA  
91744 U.S.A.  
Phone 800-591-9372  
626-855-4804

[www.acorneng.com](http://www.acorneng.com)

# TECHNICAL DIMENSIONS

All dimensions are subject to manufacturer's tolerance of plus or minus 1/2" nominal and subject to change without notice. Acorn Safety® assumes no responsibility for use of void or superseded data. Dimensions may change with the addition of optional accessories. © Acorn Safety®, A Division of Acorn Engineering Company®, Member of Morris Group International™. Please visit [www.acorneng.com](http://www.acorneng.com) for most current specifications.

☐ Model S2340-FPB\_\_ : Combination Station, Stainless Steel Bowl Eye/Face Wash and Showerhead, Frost Proof Bury



NOT LESS THAN 3 CUBIC FEET OF LARGE ROUND ROCK TO FILL AROUND AND BELOW OUTLET FOR DRAINAGE DO NOT USE SAND.

**GENERAL NOTES:**

1. ALL DIMENSIONS ARE IN INCHES.
2. STANDARDS DEPTHS ARE 24, 36 AND 46 INCHES. OTHERS AVAILABLE UPON REQUEST.

**⚠ WARNING:** Cancer and Reproductive Harm - [www.P65Warnings.ca.gov](http://www.P65Warnings.ca.gov)

**S2340-FPB** Date: 08/18/17

Acorn Safety warrants that its products are free from defects in material or workmanship under normal use and service for a period of one year from date of shipment. Acorn's liability under this warranty shall be discharged solely by replacement or repair of defective material, provided Acorn is notified in writing within one year from date of shipment, F.O.B. Industry, California.

SELECTION SUMMARY & APPROVAL FOR MANUFACTURING

Model Number & Options \_\_\_\_\_ Quantity \_\_\_\_\_

Company \_\_\_\_\_

Contact \_\_\_\_\_ Title \_\_\_\_\_

Signature (Approval for Manufacturing) \_\_\_\_\_ Date \_\_\_\_\_



**800-591-9372**  
or 626-855-4804  
[www.acorneng.com](http://www.acorneng.com)