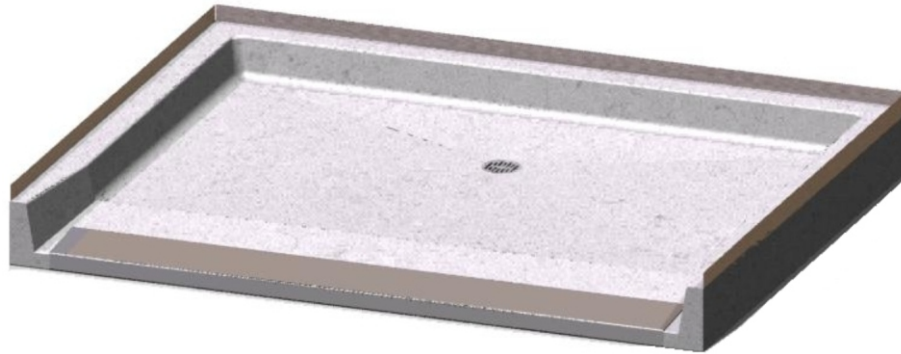




Terrazzo-Ware™ Shower Base with ADA Compliant Ramp



SBADAR-6036-3F

Fixture May Show Some Available Options

Please visit www.acorneng.com for most current specifications.

Shower Base with ADA Compliant Ramp

Shower Base is an attractive, easy to maintain, spacious shower receptacle. It is designed for durability and ease of installation. With its integral threshold it addresses the needs of the physically disabled. Shoulders are 6" high and sloped to provide drainage. **ACORN Terrazzo-Ware™** precast shower bases provide flexibility in configuration and size as required by the design of the building and the specific installation. Custom sizes and colors are also available.

Integral Ramp Threshold provides an attractive entry into the shower. The 12" wide 5° sloped threshold is designed with a 6" wide stainless steel cap for protection. We recommend a floor drain be provided by others near the entrance. The sides and rear of the fixture come with galvanized tiling flanges that extends 1-1/2" above the shoulders.

Integral Drain is supplied with a removable, stainless steel grid strainer and provides for an inside caulk connection to a 2" pipe. The shower base has coved corners and is sloped to the drain outlet to provide positive drainage. A vandal resistant strainer is optionally available.

GUIDE SPECIFICATION

Provide and install an ACORN Shower Base With ADA Compliant Ramp (specify model number and options). Shower Base shall have a stainless steel covered cap on a integral ramp threshold. Shower Base shall be made of precast terrazzo to produce a compressive strength of not less than 3,000 PSI seven days after casting. Base shall be provided with slip-resistant bathing surface and sealed. No air holes or pits shall be allowed on the finished surface. Base shall have coved corners and be sloped to the drain outlet for positive drainage. Integral drain shall have a stainless steel strainer and provide for an inside caulk connection to a 2" pipe. The manufacturer will provide to the installer the necessary installation instructions.



Terrazzo-Ware™: Shower Base with ADA Ramp

BASE MODEL

SIZE & TYPE (must specify) SQUARE

- SBADAR-36-3F** 36" Square Terrazzo Shower Base with ADA Ramp, Three Side Flanged

RECTANGULAR

- SBADAR-6030-3F** 60" x 30" Rectangular Terrazzo Shower Base with ADA Ramp, Three Side Flanged
- SBADAR-6036-3F** 60" x 36" Rectangular Terrazzo Shower Base with ADA Ramp, Three Side Flanged
- SBADAR-6432-3F** 64" x 32" Rectangular Terrazzo Shower Base with ADA Ramp, Three Side Flanged
- SBADAR-6438-3F** 64" x 38" Rectangular Terrazzo Shower Base with ADA Ramp, Three Side Flanged

SUFFIX OPTIONS

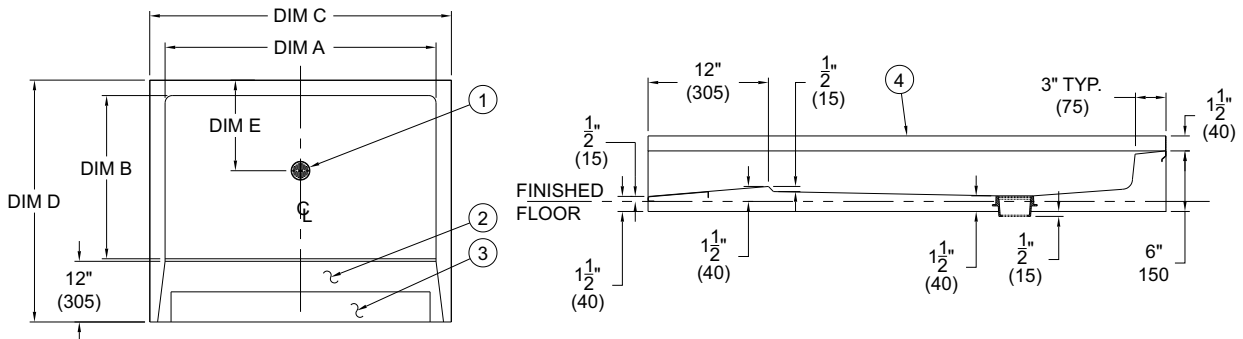
- OC Optional Colors (contact factory)
- VRS Vandal Resistant Strainer

ACCESSORIES

- KDG2 Rubber Drain Gasket for 2" Waste Pipe

Please visit www.acorneng.com for most current specifications.

MODEL NUMBER	TYPE	INTERIOR DIMENSIONS		EXTERIOR DIMENSIONS		DRAIN
		A	B	C	D	
SBADAR-36-3F	SQUARE	36" (915)	-	42" (1065)	51-5/8" (1310)	15" (380)
SBADAR-6030-3F	RECTANGULAR	60" (1525)	30" (760)	66" (1675)	45-5/8" (1160)	14" (355)
SBADAR-6036-3F	RECTANGULAR	60" (1525)	36" (915)	66" (1675)	51-5/8" (1310)	15" (380)
SBADAR-6432-3F	RECTANGULAR	64" (1625)	32" (810)	70" (1780)	47-5/8" (1210)	14" (355)
SBADAR-6438-3F	RECTANGULAR	64" (1625)	38" (965)	70" (1780)	53-5/8" (1360)	16" (405)



TERRAZZO-WARE SHOWER BASES WITH ADA RAMP

NOTE:

1. Integral Drain with Removable Grid Strainer. Drain provides an inside caulk connection to 2" Pipe
2. Ramp
3. Stainless Steel Ramp Guard
4. Tiling Flange

NOTE:

ADA COMPLIANCE IS SUBJECT TO THE INTERPRETATION AND REQUIREMENTS OF LOCAL CODE AUTHORITY

WARNING: Cancer and Reproductive Harm - www.P65Warnings.ca.gov

<p>Important: Installation instructions and current rough-in are furnished with each fixture. Do not rough in without certified dimensions. Dimensions are subject to manufacturer's tolerance of plus or minus 1/4" and change without notice. Acorn assumes no responsibility for use of void or superseded data. ©Copyright 2008 Acorn Engineering Company</p>	
<p>Selection Summary</p> <p>Model No. & Option _____</p> <p>Quantity _____</p>	<p>Approved for Manufacturing</p> <p>Company _____ Title _____</p> <p>Signature _____ Date _____</p>