



## Terrazzo-Ware® Shower Base - Back Outlet Series



SBS-36-BOD-FF

Fixture May Show Some Available Options

Please visit [www.acorneng.com](http://www.acorneng.com) for most current specifications.

### Back Outlet Shower Base

**Shower Base** is an attractive, easy to maintain, spacious shower receptacle. It is designed for durability and ease of installation. **ACORN Terrazzo-Ware®** precast shower bases provide flexibility in configuration and size as required by the design of the building and the specific installation. Custom sizes and colors are also available.

**Back Outlet Integral Drain** provides flexibility as required by the specific installation. It is available with both Fully Flanged and Integral Threshold Series type fixtures. Drain is supplied with a removable, stainless steel strainer and provides a female NPT connection to a 2" pipe. The shower base has coved corners and is sloped to the drain outlet to provide positive drainage. A vandal resistant strainer is optionally available.

**Flanges** are provided on the sides, rear and optionally entrance of the fixture. Without flanges, the entrance has an integral threshold. Flanged entrance allows others to construct a tiled threshold. Integral threshold entrance allows others to install a shower door on the 3" wide threshold. Tiling flanges are galvanized steel that extend 1" above the 1½" wide shoulder.

**Construction** is one-piece, precast terrazzo composed of marble chips cast in Portland cement to provide a compressive strength of at least 3,000 PSI seven days after casting. The shower base is provided with slip-resistant bathing surface and sealed for years of service. Shoulders are 4" high and sloped to provide drainage.

**Compliance Standards:** Terrazzo Shower Bases have Third Party Certification of conformance with CSA B45.8/IAPMO Z403 Terrazzo, Concrete and Natural Stone Plumbing Fixtures which includes specific provision for Slip Resistance (Section 4.4.4) and Referenced Standard ASTM F462 Standard Consumer Safety Specification for Slip-Resistant Bathing Facilities.

### GUIDE SPECIFICATION

Provide and install an **ACORN Back Outlet Shower Base** (specify model number and options). Shower Base shall be made of precast terrazzo to produce a compressive strength of at least 3,000 PSI seven days after casting. Base shall be provided with slip-resistant bathing surface and sealed. No air holes or pits shall be allowed on the finished surface. Base shall have coved corners and be sloped to the drain outlet for positive drainage. Integral drain shall have a stainless steel strainer and provide a female NPT connection to a 2" pipe. The manufacturer will provide to the installer the necessary installation instructions.

# Terrazzo-Ware®: Shower Base-Back Outlet Series



## BASE MODEL & TYPE

### SIZE (must specify)

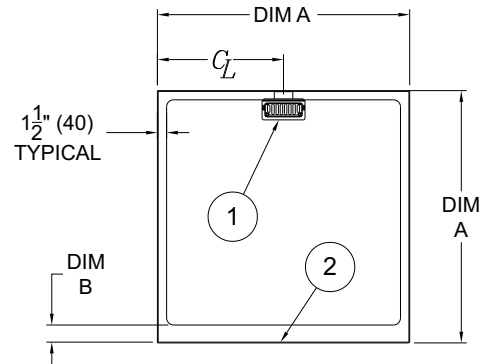
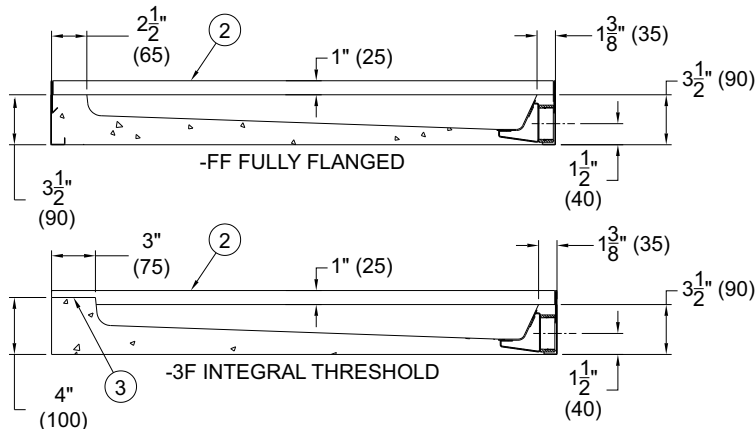
- SBBOD-32-3F** 32" Terrazzo Shower Base, Square Back Outlet Drain Orientation, Three Sides Flanged
- SBBOD-36-3F** 36" Terrazzo Shower Base, Square, Back Outlet Drain Orientation, Three Sides Flanged
- SBBOD-36-FF** 36" Terrazzo Shower Base, Square, Back Outlet Drain Orientation, Fully Flanged, All Sides

## SUFFIX OPTIONS

- OCT Optional Colors  
<https://www.acorneng.com/terrazzo-colors>
- VRS Vandal Resistant Strainer

Please visit [www.acorneng.com](http://www.acorneng.com) for most current specifications.

MODEL NUMBER	TYPE	SIZES/DIMENSIONS	
		A - LENGTH	B
SBS-36-BOD-FF	SQUARE, FULLY FLANGED	36" (915)	2-1/2" (90)
SBS-32-BOD-3F	SQUARE, INTEGRAL THRESHOLD	32" (815)	3" (75)
SBS-36-BOD-3F	SQUARE, INTEGRAL THRESHOLD	36" (915)	3" (75)



TERRAZZO-WARE BACK OUTLET SERIES SHOWER BASE

### NOTES:

1. Integral Drain with Removable Grid Strainer. Drain provides female NPT connection to 2" pipe
2. Tiling Flange
3. Shower Base Threshold

**WARNING:** Cancer and Reproductive Harm - [www.P65Warnings.ca.gov](http://www.P65Warnings.ca.gov)

<b>Important:</b> Installation instructions and current rough-in are furnished with each fixture. Do not rough in without certified dimensions. Dimensions are subject to manufacturer's tolerance of plus or minus 1/4" and change without notice. Acorn assumes no responsibility for use of void or superseded data. © Copyright 2003 Acorn Engineering Company	
<p style="text-align: center;">Selection Summary</p> <p>Model No. &amp; Option _____</p> <p>Quantity _____</p>	<p style="text-align: center;">Approved for Manufacturing</p> <p>Company _____ Title _____</p> <p>Signature _____ Date _____</p>